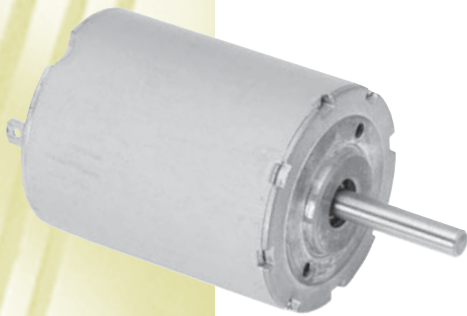
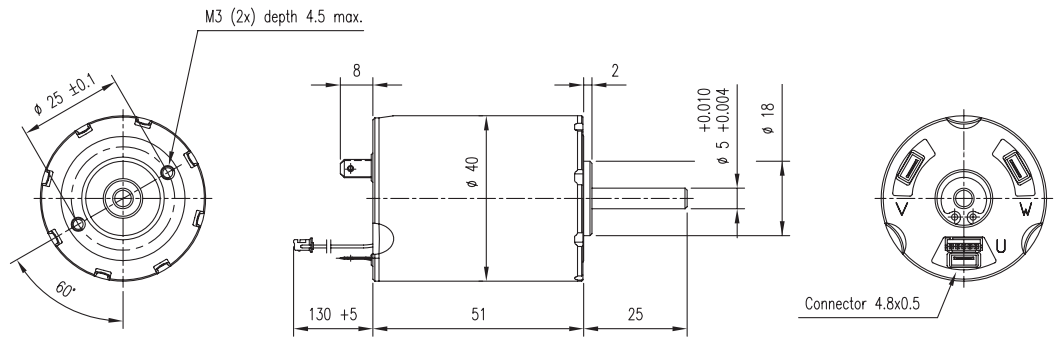


# BLDC40P30A BLDC40S30A



## General Specification

Insulation class F  
 Protection IP20  
 Operating temperature – 20 ° C ... + 70°C  
 2 NMB ballbearings for long lifetime  
 Max. radial load 80 N (5mm from flange)  
 Max. axial load 50 N

## Features

Low cogging torque  
 High power to volume ratio  
 High efficiency at operating point  
 High reliability

## Options

Driver

NMB-Partnumber		BLDC40P30A-24V 25.1.050	BLDC40S30A-24V 25.1.050D
Rated Voltage	[V]	24	24
Rated Speed	[rpm]	3000	3000
Continuous Power	[W]	44	63
Rated Torque *1)	[mNm]	140	200
Continuous Stall Torque	[mNm]	155	297
Efficiency at Rated Speed	[%]	83.1	89.4
Current at Rated Speed	[A]	2.3	3.0
No Load Speed	[rpm]	3700	3400
Resistance per Phase *2)	[Ω]	1.46	0.50
Inductance per Phase	[mH]	1.50	0.50
Torque Constant	[mNm/A]	60	66
Speed Constant	[rpm/V]	158.4	143.6
Mech. Time Constant	[ms]	1.60	0.57
Rotor Inertia	[gcm <sup>2</sup> ]	40	50
Number of Poles		14	16
Weight	[g]	280	280
Thermal Resistance *3) *4)	[K/W]	6	6

\*1) motor torque at 70K temperature rising of winding

\*2) resistance phase to phase at 20°C

\*3) thermal resistance winding to ambient

\*4) motor is mounted on a sheet metal 210 mm x 40 mm x 0.8 mm