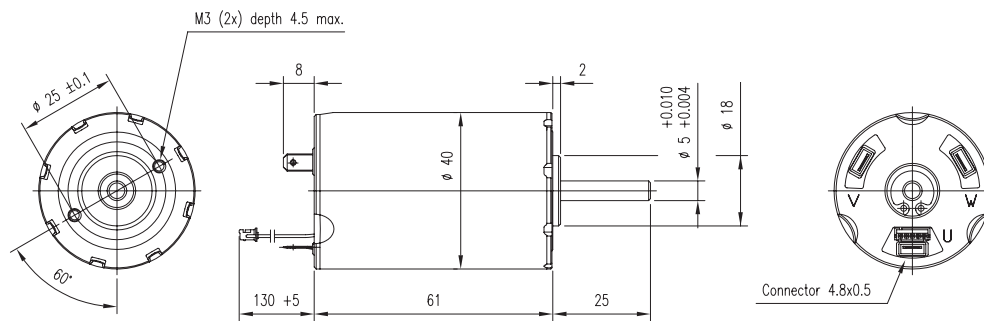


BLDC40S40



General Specification

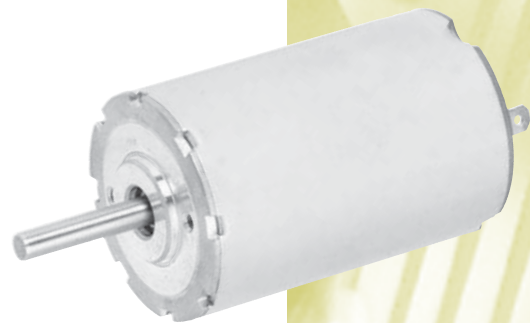
Insulation class F
 Protection IP20
 Operating temperature $-20^{\circ}\text{C} \dots +70^{\circ}\text{C}$
 2 NMB ballbearings for long lifetime
 Max. radial load 80 N (5mm from flange)
 Max. axial load 50 N

Features

Low cogging torque
 High power to volume ratio
 High efficiency at operating point
 High reliability

Options

Driver, Encoder



NMB-Partnumber		BLDC40S40A-12V 18.1.056D	BLDC40S40A-24V 18.1.056D
Rated Voltage	[V]	12	24
Rated Speed	[rpm]	1200	3000
Continuous Power	[W]	38.2	79
Rated Torque *1)	[mNm]	300	250
Continuous Stall Torque	[mNm]	389	389
Efficiency at Rated Speed	[%]	71.7	85.4
Current at Rated Speed	[A]	4.7	3.9
No Load Speed	[rpm]	1760	3500
Resistance per Phase *2)	[Ω]	0.38	0.38
Inductance per Phase	[mH]	0.30	0.30
Torque Constant	[mNm/A]	64	64
Speed Constant	[rpm/V]	148.5	148.5
Mech. Time Constant	[ms]	0.58	0.58
Rotor Inertia	[gcm ²]	64	64
Number of Poles		16	16
Weight	[g]	350	350
Thermal Resistance *3) *4)	[K/W]	5	5

*1) motor torque at 70K temperature rising of winding

*2) resistance phase to phase at 20°C

*3) thermal resistance winding to ambient

*4) motor is mounted on a sheet metal 210 mm x 40 mm x 0.8 mm