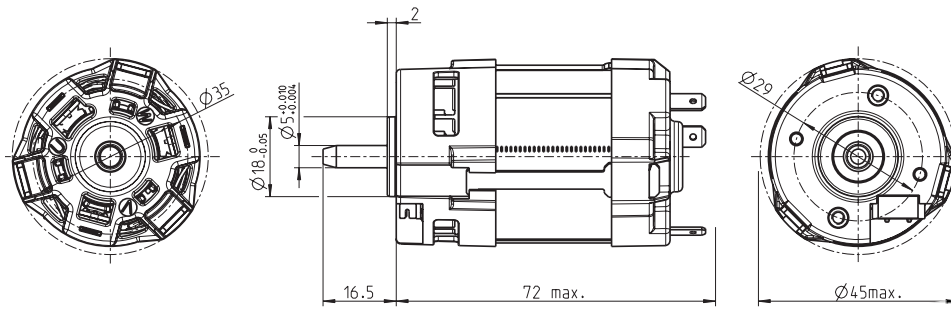


For high volume demand

BLDC 40-SG01



General Specification

Insulation class F
 Housing protection IP20
 Operating temperature – 20 ° C ... + 45°C
 2 NMB ballbearings for long lifetime
 Max. radial load 80 N (5mm from flange)
 Max. axial load 50 N

Features

Excellent power to volume ratio
 High efficiency at operating point
 High reliability



Different lengths, operating voltages and speeds are available. Please ask for details.

NMB-Partnumber	BLDC40P30F 12V 6.1.090D
----------------	----------------------------

Rated Voltage	[V]	12
Rated Speed	[rpm]	14200
Continuous Power	[W]	208
Rated Torque	[mNm]	140
Continous Stall Torque	[mNm]	140
Efficiency at Rated Speed	[%]	76
Efficiency max.	[%]	85
Current at Rated Speed	[A]	25
No Load Speed	[rpm]	18300
Resistance per Phase *1)	[Ω]	0.031
Inductance per Phase	[mH]	18
Torque Constant	[mNm/A]	6.1
Speed Constant	[rpm/V]	1525
Mech. Time Constant	[ms]	5.3
Rotor Inertia	[gcm ²]	64
Number of Poles		6
Weight	[g]	250
Thermal Resistance *2)	[K/W]	0.92

Dwg.No.: 120888800002F

*1) resistance phase to phase at 20°C
 *2) thermal resistance winding to ambient

Applications:

**White Goods
 Power Tools
 Consumer Products**