



Rated Voltage	48	V
No Load Speed	7.950	rpm
Rated Speed	6.100	rpm
Cont. Power	170	W
Rated Torque	265	mNm
Cont. Stall Torque		
Current at rated Speed	5	A
Torque Constant	57	mNm/A
Efficiency at Duty Point	90	%
Weight	1,12	kg
Rotor Inertia	300	gcm ²
Number of Poles	8	
Oper. Temp. Range	-20 / + 45	° C
Max. Temp. Rise	70 K	@ +45°C

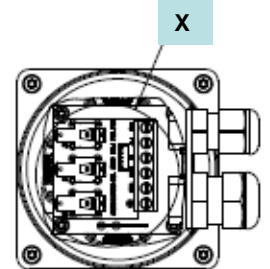
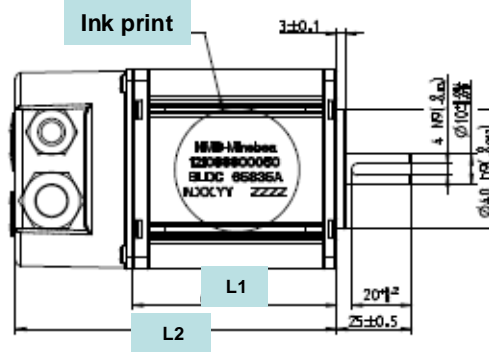
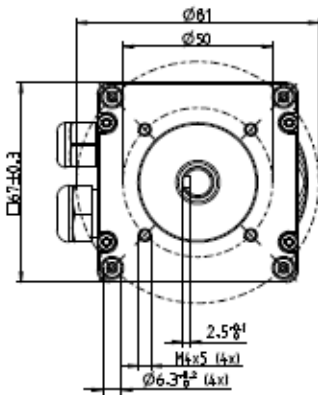
Features

- High power-to-volume ratio
- High efficiency at duty point
- High reliability
- With or without integrated drive

Typical Applications

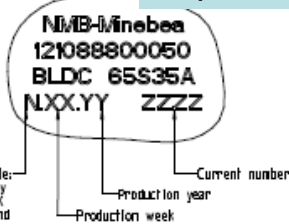
- Pump drives
- Automation

Motor Code: 121088800029

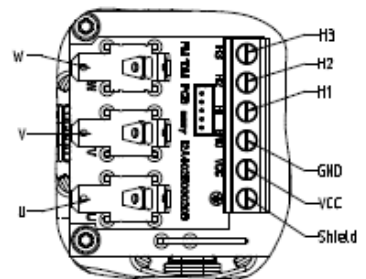


Connector Box

Ink print, 2:1



Model	Motor length "L1" / mm	Motor length "L2" / mm
BLDC65x18A	50,7	89,7
BLDC65x35A	68,2	107,2
BLDC65x53A	85,7	124,7



X = 2:1