

# BLDC 65S18A 40.1.060

# Brushless 3-Phase DC Motor



Rated Voltage	<b>48</b>	V
No Load Speed	<b>3.650</b>	rpm
Rated Speed	<b>3.300</b>	rpm
Cont. Power	<b>97</b>	W
Rated Torque	<b>280</b>	mNm
Cont. Stall Torque		
Current at rated Speed	<b>2,2</b>	A
Torque Constant	<b>114</b>	mNm/A
Efficiency at Duty Point	<b>87</b>	%
Weight	<b>0,75</b>	kg
Rotor Inertia	<b>170</b>	gcm <sup>2</sup>
Number of Poles	<b>8</b>	
Oper. Temp. Range	<b>-20 / + 45</b>	° C
Max. Temp. Rise	<b>70 K</b>	@ +45° C

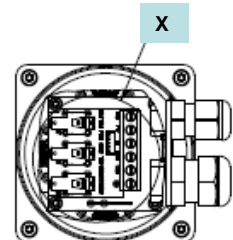
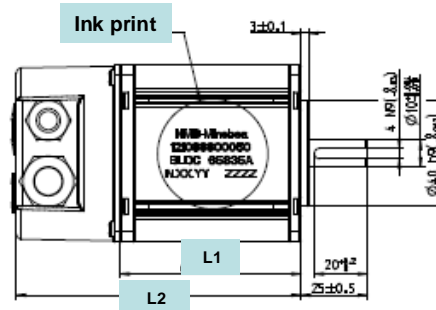
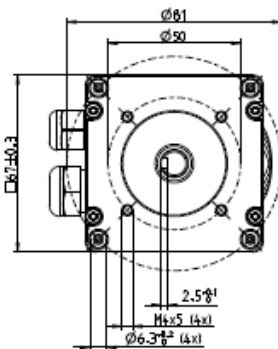
## Features

- High power-to-volume ratio
- High efficiency at duty point
- High reliability
- With or without integrated drive

## Typical Applications

- Pump drives
- Automation

Motor Code: 121088800081



Connector Box

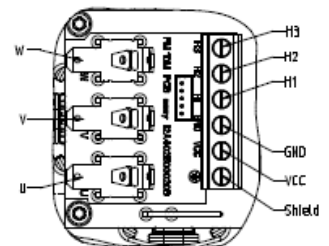
Ink print, 2:1

NMB-Minebea  
121088800050  
BLDC 65S35A  
NXX.YY ZZZZ

Facility code:  
1 Germany  
2 NMB-SK  
3 Thailand

Current number  
Production year  
Production week

Model	Motor length "L1" / mm	Motor length "L2" / mm
BLDC65x18A	50,7	89,7
BLDC65x35A	68,2	107,2
BLDC65x53A	85,7	124,7



X= 2:1

Stand Aug 2011

PM DM GmbH  
Auf Herdenen 10  
D-78052 Villingen-Schwenningen  
Tel.: +49 (0) 7721 / 997-0

<http://www.pmdm.de>  
Mail: Sales@pmdm.de

**PM DM**  
Precision Motors Deutsche Minebea GmbH

