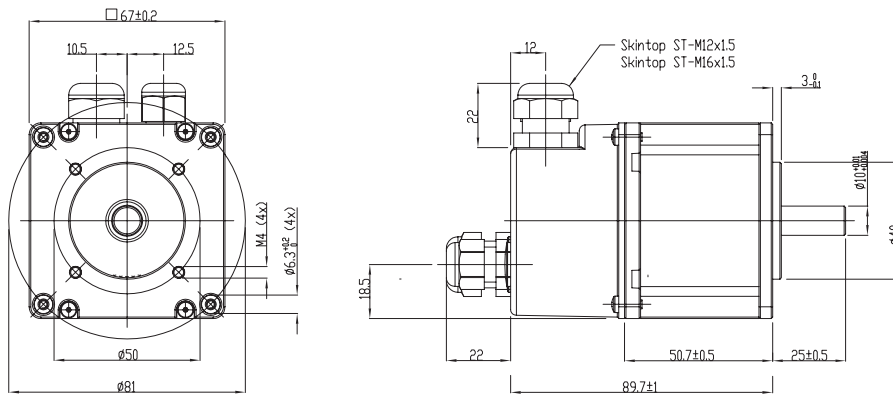


BLDC65S18

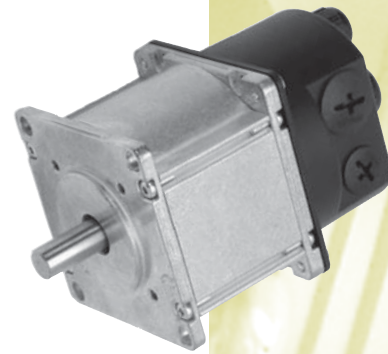


General Specification

Insulation class F
 Protection IP54
 Operating temperature – 20 °C ... + 70 °C
 2 NMB ballbearings for long lifetime
 Max. radial load 150 N (10 mm from flange)
 Max. axial load 100 N

Features

Low cogging torque
 High power to volume ratio
 High efficiency at operating point
 High reliability



**Higher power up to 300 W
 in S2/S3 - mode possible!**

NMB-Partnumber		BLDC65S18A 81.P.040	BLDC65S18A 40.1.060
Rated Voltage	[V]	24	48
Rated Speed	[rpm]	3250	3300
Continuous Power	[W]	97.5	97
Rated Torque *1)	[mNm]	285	280
Continuous Stall Torque	[mNm]	395	410
Efficiency at Rated Speed	[%]	86	90
Current at Rated Speed	[A]	4.4	2.2
No Load Speed	[rpm]	3615	3645
Resistance per Phase *2)	[Ω]	0.31	1.05
Inductance per Phase	[mH]	0.49	1.98
Torque Constant	[mNm/A]	64.8	114.0
Speed Constant	[rpm/V]	151.6	79.4
Mech. Time Constant	[ms]	1.22	1.17
Rotor Inertia	[gcm ²]	170	170
Number of Poles		8	8
Weight	[g]	750	750
Thermal Resistance *3)	[K/W]	3.75	3.75

*1) motor torque at 70K temperature rising of winding

*2) resistance phase to phase at 20°C

*3) thermal resistance winding to ambient