



Rated Voltage	<b>24</b>	V
No Load Speed	<b>3.600</b>	rpm
Rated Speed	<b>3.300</b>	rpm
Cont. Power	<b>140</b>	W
Rated Torque	<b>406</b>	mNm
Cont. Stall Torque		
Current at rated Speed	<b>5,5</b>	A
Torque Constant	<b>61</b>	mNm/A
Efficiency at Duty Point	<b>93</b>	%
Weight	<b>1,12</b>	kg
Rotor Inertia	<b>300</b>	gcm <sup>2</sup>
Number of Poles	<b>8</b>	
Oper. Temp. Range	<b>-20 / + 45</b>	° C
Max. Temp. Rise	<b>70 K</b>	@ +45°C

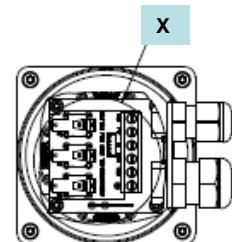
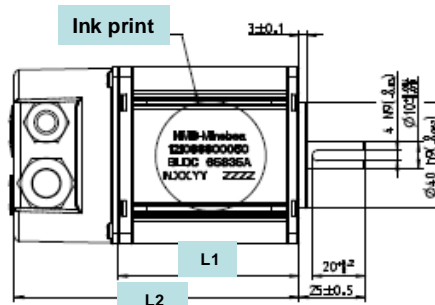
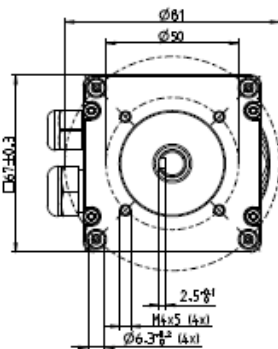
### Features

- High power-to-volume ratio
- High efficiency at duty point
- High reliability
- With or without integrated drive

### Typical Applications

- Pump drives
- Automation

Motor Code: 121088800050



Connector Box

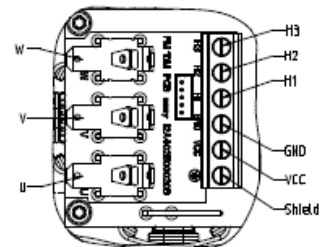
Ink print, 2:1

Minebea  
121088800050  
BLDC 65S35A  
NX.XX.YY ZZZZ

Facility code:  
1 Germany  
2 NIB-SK  
3 Thailand

Current number  
Production year  
Production week

Model	Motor length "L1" / mm	Motor length "L2" / mm
BLDC65x18A	50,7	89,7
BLDC65x35A	68,2	107,2
BLDC65x53A	85,7	124,7



X = 2:1