



Rated Voltage	48	V
No Load Speed	3.600	rpm
Rated Speed	3.350	rpm
Cont. Power	148	W
Rated Torque	420	mNm
Cont. Stall Torque		
Current at rated Speed	3,1	A
Torque Constant	124	mNm/A
Efficiency at Duty Point	90	%
Weight	1,12	kg
Rotor Inertia	300	gcm ²
Number of Poles	8	
Oper. Temp. Range	-20 / + 45	° C
Max. Temp. Rise	70 K	@ +45°C

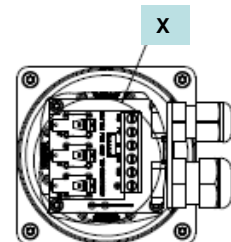
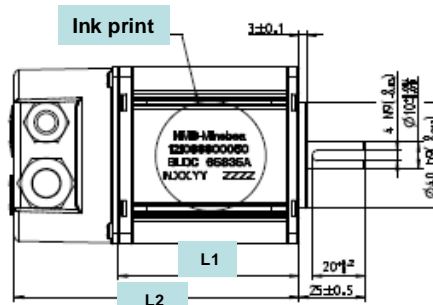
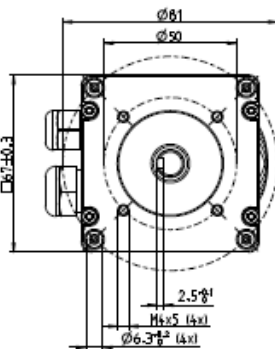
Features

- High power-to-volume ratio
- High efficiency at duty point
- High reliability
- With or without integrated drive

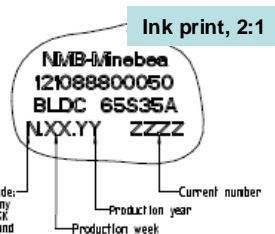
Typical Applications

- Pump drives
- Automation

Motor Code: 120988800012



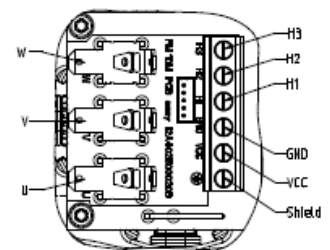
Connector Box



Facility code:
 1 Germany
 2 NIB-SK
 3 Thailand

Current number
 Production year
 Production week

Model	Motor length "L1" / mm	Motor length "L2" / mm
BLDC65x18A	50,7	89,7
BLDC65x35A	68,2	107,2
BLDC65x53A	85,7	124,7



X = 2:1

Stand Aug 2011

PM DM GmbH
 Auf Herdenen 10
 D-78052 Villingen-Schwenningen
 Tel.: +49 (0) 7721 / 997-0

<http://www.pmdm.de>
 Mail: Sales@pmdm.de

PM DM
 Precision Motors Deutsche Minebea GmbH

