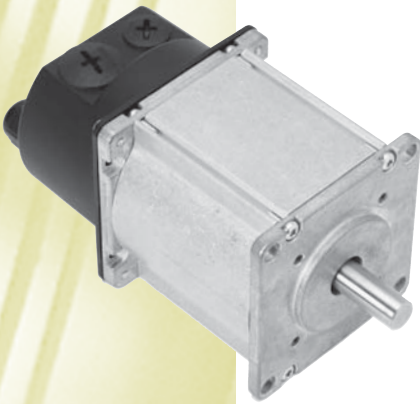
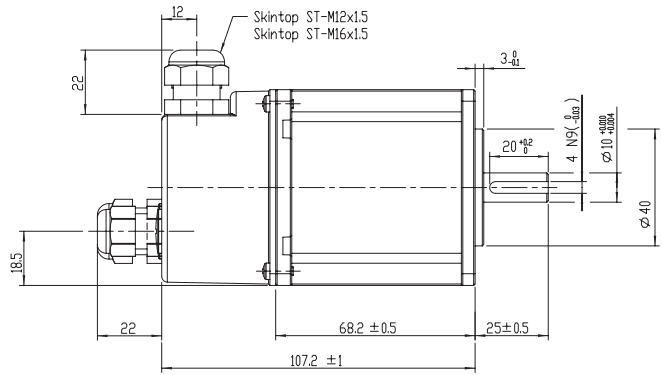
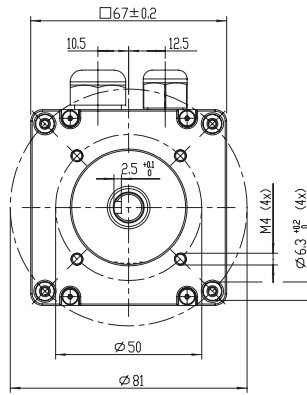


BLDC65S35



General Specification

Insulation class F
 Protection IP54
 Operating temperature – 20 °C ... + 70 °C
 2 NMB ballbearings for long lifetime
 Max. radial load 150 N (10 mm from flange)
 Max. axial load 100 N

Features

Low cogging torque
 High power to volume ratio
 High efficiency at operating point
 High reliability

**Higher power up to 700 W
 in S2/S3 - mode possible!**

NMB-Partnumber		BLDC65S35A 41.P.060	BLDC65S35A 82.P.040
Rated Voltage	[V]	24	48
Rated Speed	[rpm]	3300	3350
Continuous Power	[W]	140	148
Rated Torque *1)	[mNm]	406	423
Continuous Stall Torque	[mNm]	430	446
Efficiency at Rated Speed	[%]	89	91
Current at Rated Speed	[A]	5.54	3.1
No Load Speed	[rpm]	3550	3560
Resistance per Phase *2)	[Ω]	0.12	0.52
Inductance per Phase	[mH]	0.22	0.89
Torque Constant	[mNm/A]	66.0	124.0
Speed Constant	[rpm/V]	148.1	74.9
Mech. Time Constant	[ms]	0.86	0.94
Rotor Inertia	[gcm ²]	300	300
Number of Poles		8	8
Weight	[g]	1120	1120
Thermal Resistance *3)	[K/W]	3.2	3.2

*1) motor torque at 70K temperature rising of winding

*2) resistance phase to phase at 20°C

*3) thermal resistance winding to ambient