

# BLDC 65S53A 30.P.071

# Brushless 3-Phase DC Motor



Rated Voltage	<b>24</b>	V
No Load Speed	<b>3.250</b>	rpm
Rated Speed	<b>3.050</b>	rpm
Cont. Power	<b>178</b>	W
Rated Torque	<b>550</b>	mNm
Cont. Stall Torque		
Current at rated Speed	<b>7,5</b>	A
Torque Constant	<b>68</b>	mNm/A
Efficiency at Duty Point	<b>90</b>	%
Weight	<b>1,14</b>	kg
Rotor Inertia	<b>430</b>	gcm <sup>2</sup>
Number of Poles	<b>8</b>	
Oper. Temp. Range	<b>-20 / + 45</b>	° C
Max. Temp. Rise	<b>70 K</b>	@ +45° C

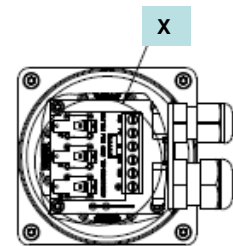
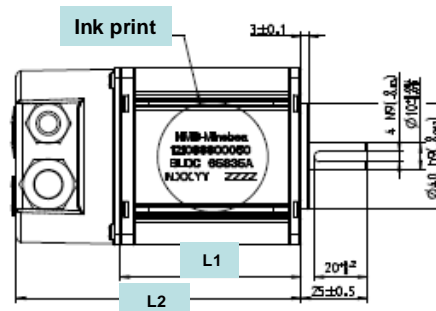
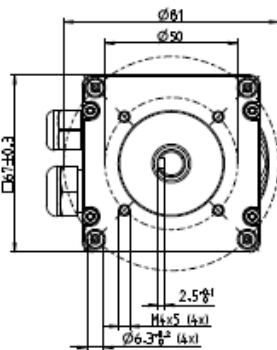
## Features

High power-to-volume ratio  
 High efficiency at duty point  
 High reliability  
 With or without integrated drive

## Typical Applications

Pump drives  
 Automation

Motor Code: 121088800012



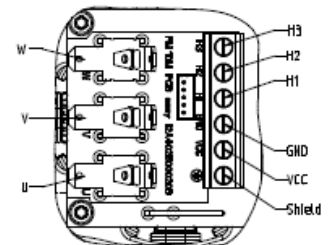
Connector Box

Ink print, 2:1

Minebea  
 121088800050  
 BLDC 65S35A  
 NXX.YY ZZZZ

Facility code:  
 1 Germany  
 2 HK-SK  
 3 Thailand  
 Production year  
 Production week

Model	Motor length "L1" / mm	Motor length "L2" / mm
BLDC65x18A	50,7	89,7
BLDC65x35A	68,2	107,2
BLDC65x53A	85,7	124,7



X = 2:1

Stand Aug 2011

PM DM GmbH  
 Auf Herdenen 10  
 D-78052 Villingen-Schwenningen  
 Tel.: +49 (0) 7721 / 997-0

<http://www.pmdm.de>  
 Mail: Sales@pmdm.de

**PM DM**  
 Precision Motors Deutsche Minebea GmbH

