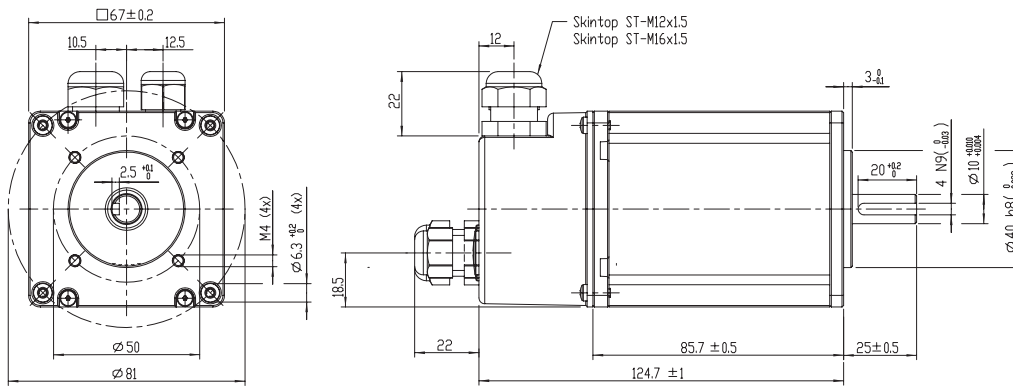


BLDC65S53

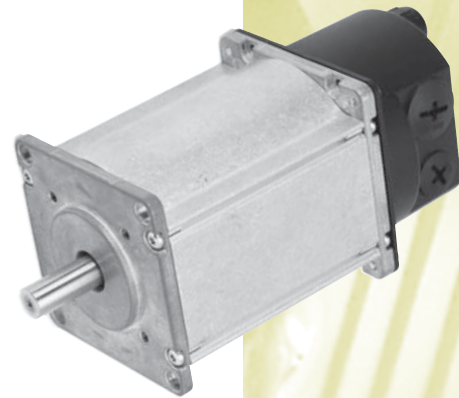


General Specification

Insulation class F
 Protection IP54
 Operating temperature – 20 °C ... + 70 °C
 2 NMB ballbearings for long lifetime
 Max. radial load 150 N (10 mm from flange)
 Max. axial load 100 N

Features

Low cogging torque
 High power to volume ratio
 High efficiency at operating point
 High reliability



**Higher power up to 1000 W
 in S2/S3 - mode possible!**

NMB-Partnumber		BLDC65S53A 30.P.071	BLDC65S53A 55.P.050
Rated Voltage	[V]	24	48
Rated Speed	[rpm]	3050	3250
Continuous Power	[W]	178	295
Rated Torque *1)	[mNm]	556	867
Continuous Stall Torque	[mNm]	850	895
Efficiency at Rated Speed	[%]	89	92
Current at Rated Speed	[A]	7.5	6.3
No Load Speed	[rpm]	3250	3520
Resistance per Phase *2)	[Ω]	0.09	0.32
Inductance per Phase	[mH]	0.17	0.69
Torque Constant	[mNm/A]	67.0	125.0
Speed Constant	[rpm/V]	135.5	73.7
Mech. Time Constant	[ms]	0.74	0.82
Rotor Inertia	[gcm ²]	430	430
Number of Poles		8	8
Weight	[g]	1440	1440
Thermal Resistance *3)	[K/W]	3	3

*1) motor torque at 70K temperature rising of winding

*2) resistance phase to phase at 20°C

*3) thermal resistance winding to ambient