

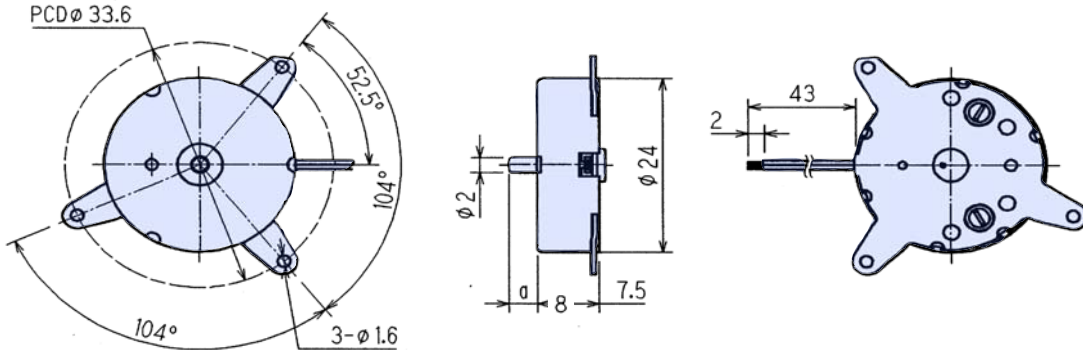
# MDN1H

下取り付け仕様  
 Bottom Plate Fixing Type



Weight: 11.8 g

## Outline UNIT:mm



## Specifications

Model	Operating Voltage (V)	Rated Voltage (V)	No Load Speed (min <sup>-1</sup> )	No Load Current (mA)	Rated Load		Rated Load Speed (min <sup>-1</sup> )	Rated Load Current (mA)	Starting Torque		Starting Current (mA)	Shaft Length (mm)
					(gf·cm)	(mN·m)			(gf·cm)	(mN·m)		
MDN1HL3SDAS	0.7 to 5	2.0	2110	15	3.0	0.294	1363	50	8.5	0.8	116	a=3.5

## Characteristics

