



PM Motor  
PG Type

## Applications

Home electric appliances : Air-conditioners

OA Equipment : Printers / Photocopiers

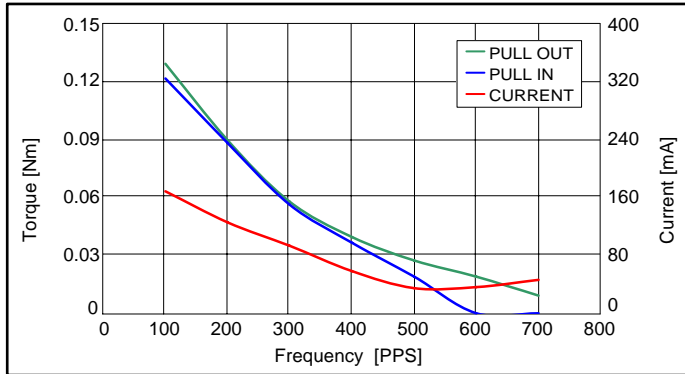
Power Tools : Drills / Drivers

## Reference Characteristics

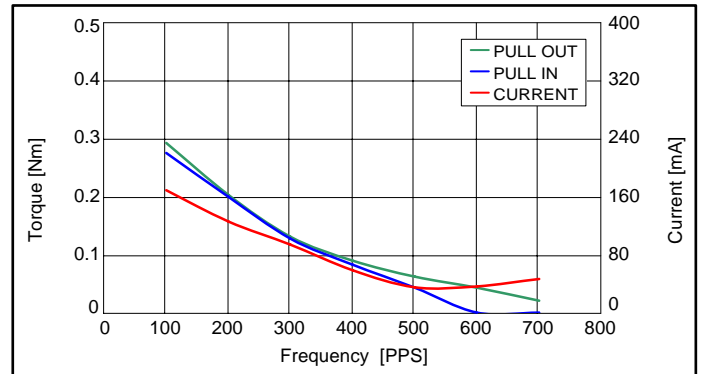
Motor Size	PG25L-024	
Reduction Ratio	1/30.3	1/76
Drive Characteristics	UNIPOLAR CONST. VOLT.	
Drive Voltage	12[V]	
Drive Method	2-2 PHASE	
Step Angle (2phase drive)	0.495°	0.197°
DC Resistance	110[Ω]	
Insulation Resistance	100M[Ω] MIN	
Dielectric Strength	AC 500[V] 1[min]	
Class of Insulation	CLASS B	
Operating Temp.	-10[°C] ~ 50[°C]	
Storage Temp.	-30[°C] ~ 80[°C]	
Operating Hum.	20[%] RH ~ 90[%] RH	

## Torque Characteristics

PG25L-024 Reduction Ratio 1/30.3

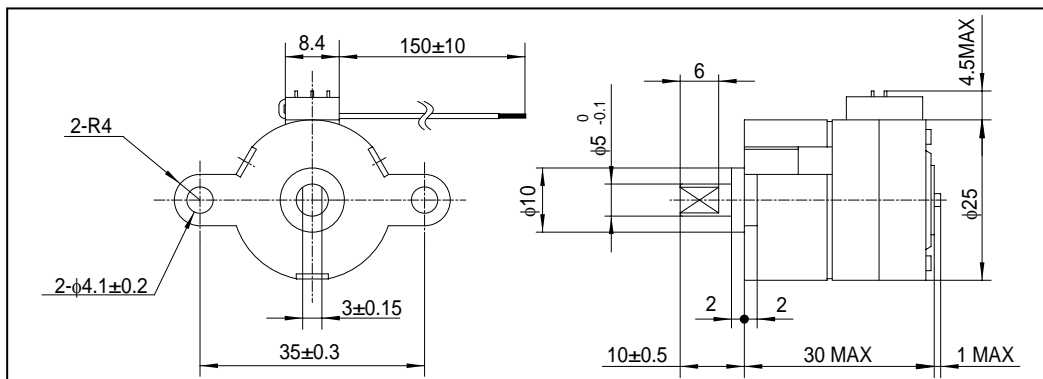


PG25L-024 Reduction Ratio 1/76



These torque values are reference only. Heat radiation conditions and temperature rise effect by duty are different on each equipment, therefore please select motors after considering the heat conditions in the actual equipment.

## Dimensions



The dimensions shown are for reference purpose and can be modified to your requirements.  
Contact our Engineering Department for details.