
 PM Motor  
 PG Type

## Applications

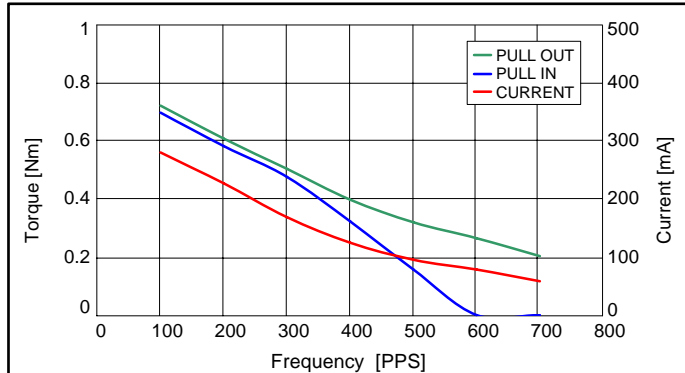
Home electric appliances : Air-conditioners  
 OA Equipment : Printers / Photocopiers  
 Power Tools : Drills / Drivers

## Reference Characteristics

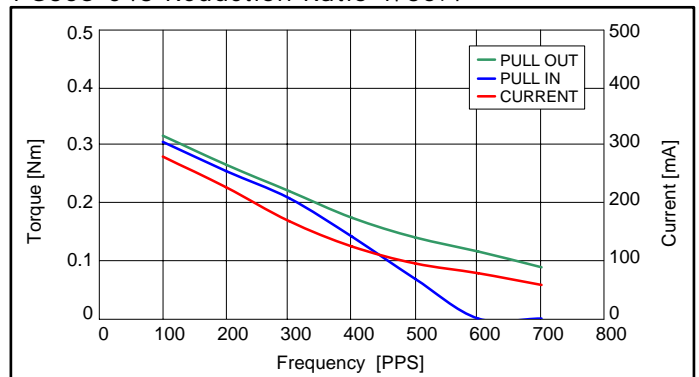
Motor Size	PG35S-048		
Reduction Ratio	1/35.4	1/89.8	1/280.5
Drive Characteristics	UNIPOLAR CONST. VOLT.		
Drive Voltage	12[V]		
Drive Method	2-2 PHASE		
Step Angle (2phase drive)	0.2118°	0.0835°	0.0267°
DC Resistance	70[Ω]		
Insulation Resistance	100M[Ω] MIN		
Dielectric Strength	AC 500[V] 1[min]		
Class of Insulation	CLASS B		
Operating Temp.	-10[°C] ~ 50[°C]		
Storage Temp.	-30[°C] ~ 80[°C]		
Operating Hum.	20[%] RH ~ 90[%] RH		

## Torque Characteristics

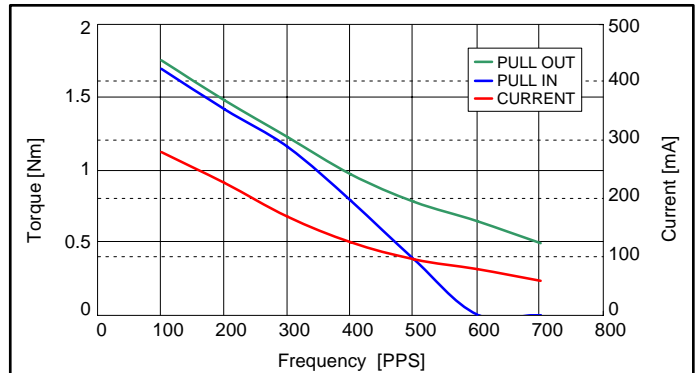
PG35S-048 Reduction Ratio 1/89.8



PG35S-048 Reduction Ratio 1/35.4

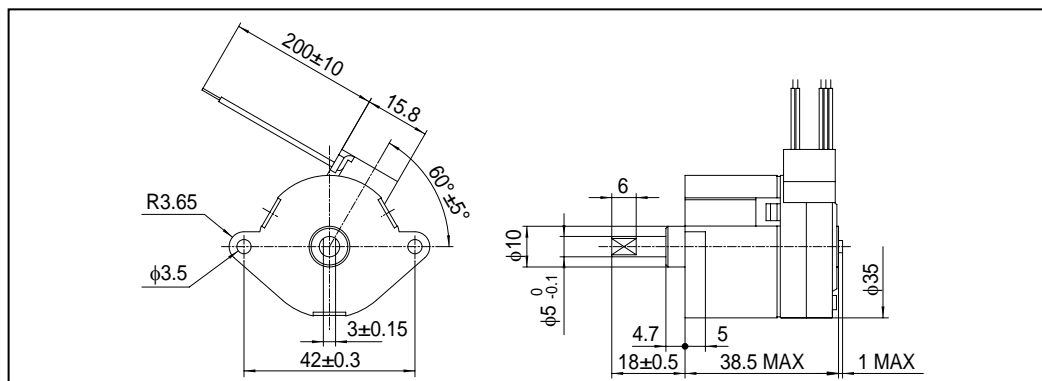


PG35S-048 Reduction Ratio 1/280.5



These torque values are reference only. Heat radiation conditions and temperature rise effect by duty are different on each equipment, therefore please select motors after considering the heat conditions in the actual equipment.

## Dimensions



The dimensions shown are for reference purpose and can be modified to your requirements. Contact our Engineering Department for details.