

PM Motor  
PM Type

## Reference Characteristics

Motor Size	PM10S-020
Number of Steps per Rotation	20(18°/Step)
Drive Method	2-2 PHASE
Drive Circuit	BIPOLAR CONST. VOLT.
Drive Voltage	5[V]
Current/Phase	
Coil Resistance/Phase	20[Ω]
Drive IC	L293D
Magnet Material	Nd-Fe-B bonded magnet (MS70)
Insulation Resistance	100M[Ω] MIN
Dielectric Strength	AC 500[V] 1[min]
Class of Insulation	CLASS E
Operating Temp.	-10[°C] ~ 50[°C]
Storage Temp.	-30[°C] ~ 80[°C]
Operating Hum.	20[%] RH ~ 90[%] RH

\* Bipolar only. Unipolar is not available.

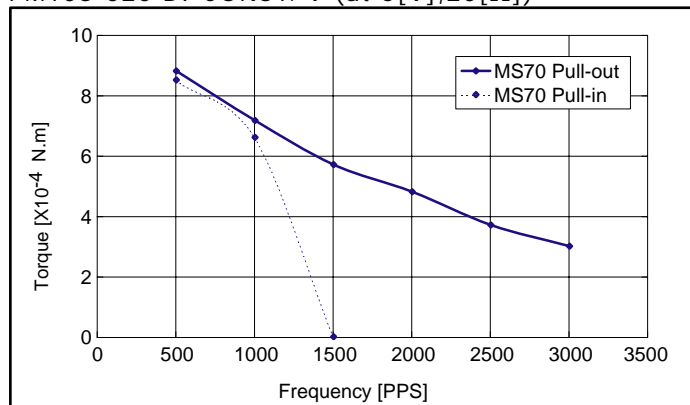
## Applications

OA Equipment : Printers / Scanners

Optical instrument : Cameras / Digital cameras / Video cameras

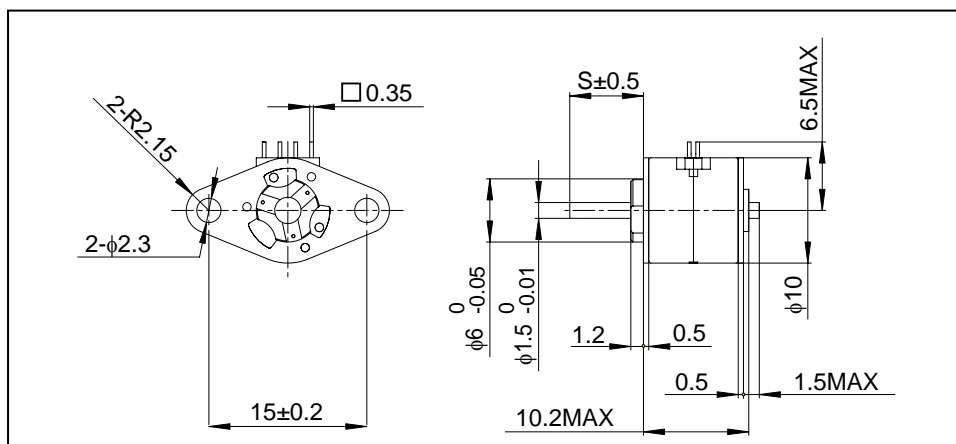
## Torque Characteristics

PM10S-020 BI-CONST. V (at 5[V],20[Ω])



These torque values are reference only. Heat radiation conditions and temperature rise effect by duty are different on each equipment, therefore please select motors after considering the heat conditions in the actual equipment.

## Dimensions



If you would like to know this Dimensions(D,S,W,θ), Please see Standard Dimensions in our Home Page.