

PM Motor  
PM Type

## Reference Characteristics

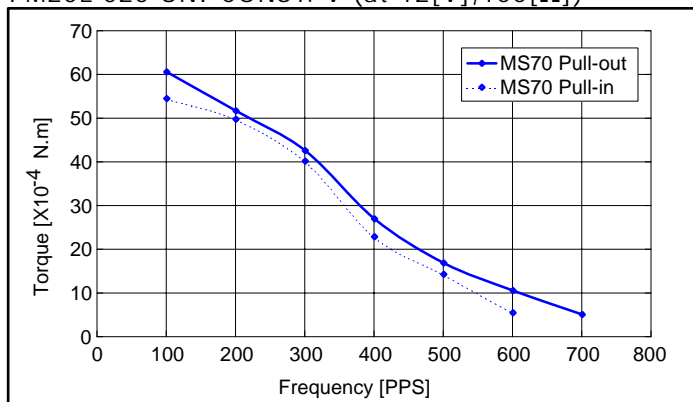
Motor Size	PM20L-020
Number of Steps per Rotation	20(18°/Step)
Drive Method	2-2 PHASE
Drive Circuit	UNIPOLAR CONST. VOLT.
Drive Voltage	12[V]
Current/Phase	
Coil Resistance/Phase	100[Ω]
Drive IC	2SC3346
Magnet Material	Nd-Fe-B bonded magnet (MS70)
Insulation Resistance	100M[Ω] MIN
Dielectric Strength	AC 500[V] 1[min]
Class of Insulation	CLASS E
Operating Temp.	-10[°C] ~ 50[°C]
Storage Temp.	-30[°C] ~ 80[°C]
Operating Hum.	20[%] RH ~ 90[%] RH

## Applications

OA Equipment : Printers / Scanners  
Automotive : Meters

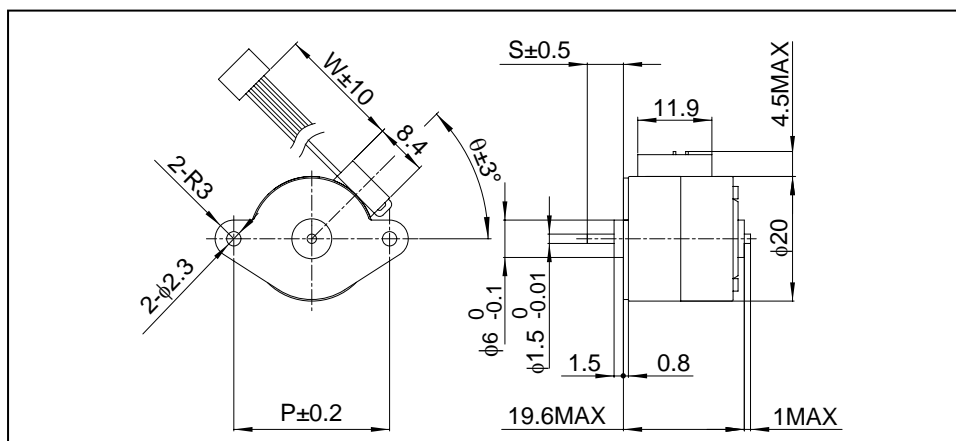
## Torque Characteristics

PM20L-020 UNI-CONST. V (at 12[V], 100[Ω])



These torque values are general reference values. When using motors, factors such as heat radiation conditions and duty effect heat rise, therefore please select motors after considering the heat conditions in the actual equipment.

## Dimensions



If you would like to know this Dimensions(D,S,W,θ), Please see Standard Dimensions in our Home Page.