

PM Motor
PM Type

Reference Characteristics

Motor Size	PM20S-020
Number of Steps per Rotation	20(18°/Step)
Drive Method	2-2 PHASE
Drive Circuit	UNIPOLAR CONST. VOLT.
Drive Voltage	12[V]
Current/Phase	
Coil Resistance/Phase	50[Ω]
Drive IC	2SC3346
Magnet Material	Nd-Fe-B bonded magnet (MS70)
Insulation Resistance	100M[Ω] MIN
Dielectric Strength	AC 500[V] 1[min]
Class of Insulation	CLASS E
Operating Temp.	-10[°C] ~ 50[°C]
Storage Temp.	-30[°C] ~ 80[°C]
Operating Hum.	20[%] RH ~ 90[%] RH

Applications

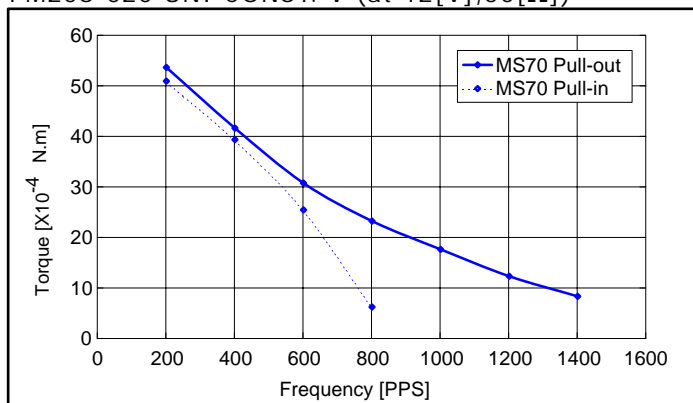
OA Equipment : Printers / Scanners

Automotive : Meters

Home automation appliances : Sewing machines

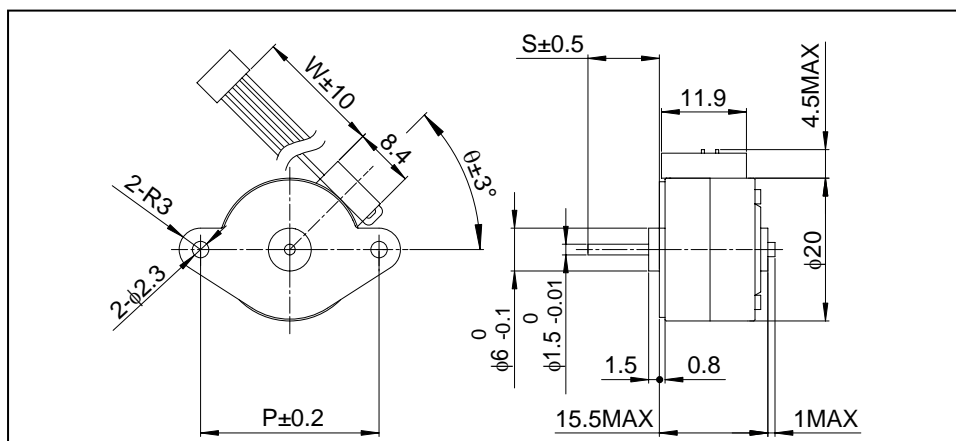
Torque Characteristics

PM20S-020 UNI-CONST. V (at 12[V],50[Ω])



These torque values are reference only. Heat radiation conditions and temperature rise effect by duty are different on each equipment, therefore please select motors after considering the heat conditions in the actual equipment.

Dimensions



If you would like to know this Dimensions(D,S,W,θ), Please see Standard Dimensions in our Home Page.