



PM Motor
PM Type

Reference Characteristics

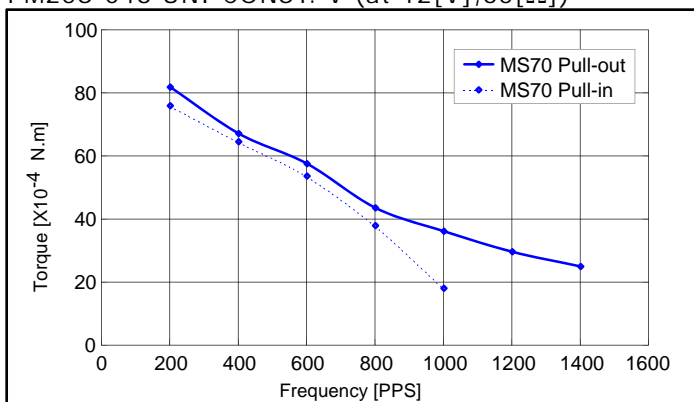
Motor Size	PM25S-048	
Number of Steps per Rotation	48(7.5°/Step)	
Drive Method	2-2 PHASE	
Drive Circuit	UNIPOLAR CONST. VOLT.	BIPOLAR CHOPPER
Drive Voltage	12[V]	24[V]
Current/Phase	600[mA]	
Coil Resistance/Phase	65[Ω]	14[Ω]
Drive IC	2SC3346	UDN2916B-V
Magnet Material	Nd-Fe-B bonded magnet (MS70)	
Insulation Resistance	100M[Ω] MIN	
Dielectric Strength	AC 500[V] 1[min]	
Class of Insulation	CLASS E	
Operating Temp.	-10[°C] ~ 50[°C]	
Storage Temp.	-30[°C] ~ 80[°C]	
Operating Hum.	20[%] RH ~ 90[%] RH	

Applications

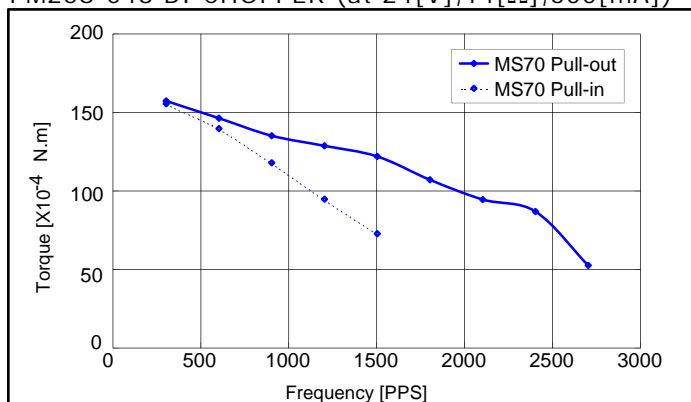
- OA Equipment : Printers / Scanners
- Automotive : Meters
- Home electric appliances : Gas range
- Home automation appliances : Sewing machines

Torque Characteristics

PM25S-048 UNI-CONST. V (at 12[V],65[Ω])

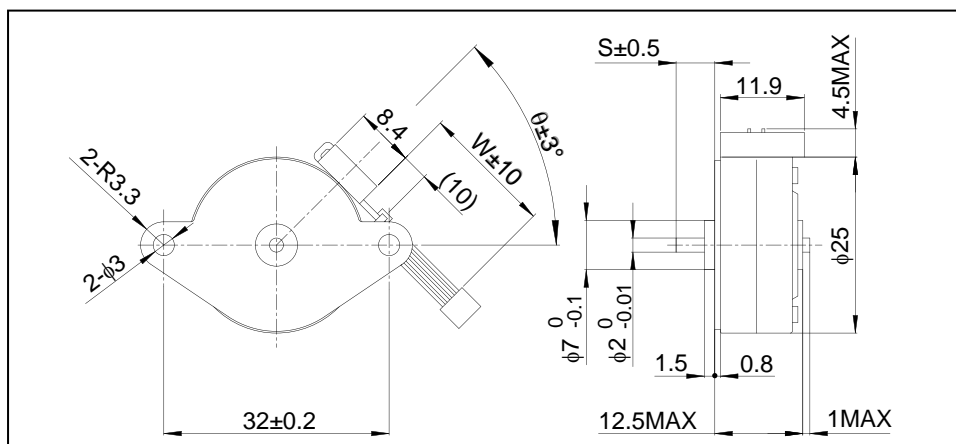


PM25S-048 BI-CHOPPER (at 24[V],14[Ω],600[mA])



These torque values are reference only. Heat radiation conditions and temperature rise effect by duty are different on each equipment, therefore please select motors after considering the heat conditions in the actual equipment.

Dimensions



If you would like to know this Dimensions(D,S,W,θ), Please see Standard Dimensions in our Home Page.