



PM Motor  
PM Type

## Reference Characteristics

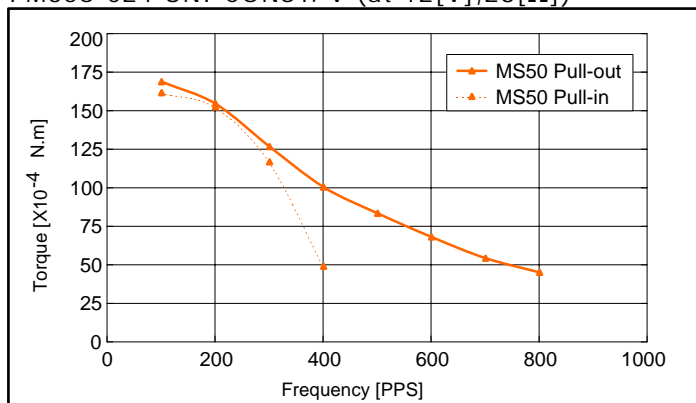
Motor Size	PM35S-024	
Number of Steps per Rotation	24(15°/Step)	
Drive Method	2-2 PHASE	
Drive Circuit	UNIPOLAR CONST. VOLT.	BIPOLAR CHOPPER
Drive Voltage	12[V]	24[V]
Current/Phase	500[mA]	
Coil Resistance/Phase	28[Ω]	4.7[Ω]
Drive IC	2SC3346	UDN2916B-V
Magnet Material	Polar anisotropy ferrite sintered magnet (MS50)	
Insulation Resistance	100M[Ω] MIN	
Dielectric Strength	AC 500[V] 1[min]	
Class of Insulation	CLASS E	
Operating Temp.	-10[°C] ~ 50[°C]	
Storage Temp.	-30[°C] ~ 80[°C]	
Operating Hum.	20[%] RH ~ 90[%] RH	

## Applications

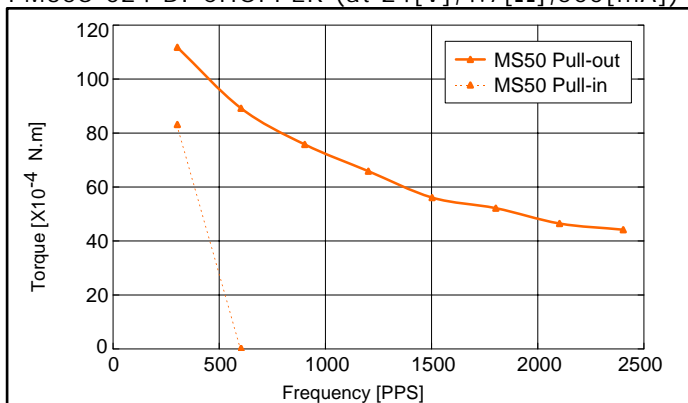
- OA Equipment : Printers / Scanners
- Industrial equipment : Flow control valves
- Automotive : Meters / Optic axis control device
- Home automation appliances : Sewing machines

## Torque Characteristics

PM35S-024 UNI-CONST. V (at 12[V],28[Ω])

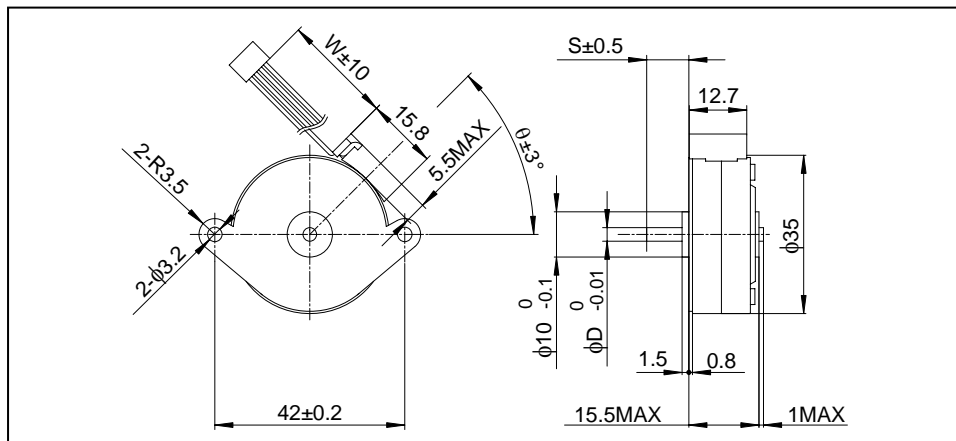


PM35S-024 BI-CHOPPER (at 24[V],4.7[Ω],500[mA])



These torque values are reference only. Heat radiation conditions and temperature rise effect by duty are different on each equipment, therefore please select motors after considering the heat conditions in the actual equipment.

## Dimensions



If you would like to know this Dimensions(D,S,W,θ), Please see Standard Dimensions in our Home Page.