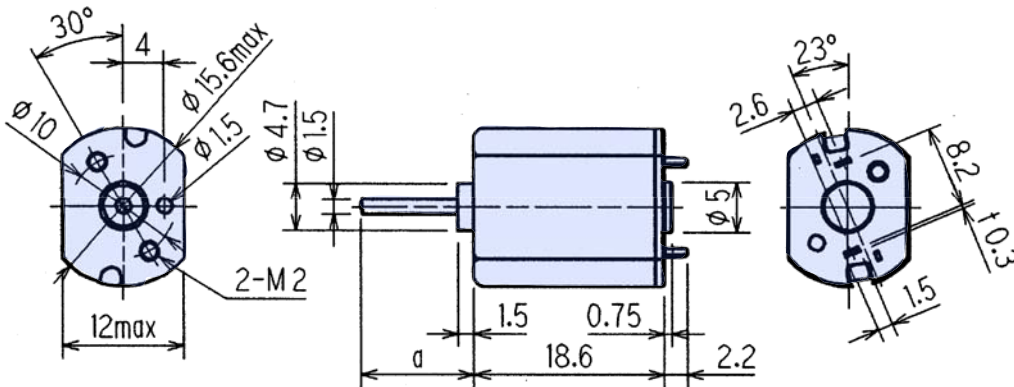


PPN7



Weight : 10 g

Outline UNIT:mm



Specifications

Model	Operating Voltage (V)	Rated Voltage (V)	No Load Speed (min^{-1})	No Load Current (mA)	Rated Load		Rated Load Speed (min^{-1})	Rated Load Current (mA)	Starting Torque		Starting Current (mA)	Shaft Length (mm)
					($\text{gf} \cdot \text{cm}$)	($\text{mN} \cdot \text{m}$)			($\text{gf} \cdot \text{cm}$)	($\text{mN} \cdot \text{m}$)		
PPN7PA08B	2 to 7	2.5	3042	21	1.0	0.1	2594	35	6.9	0.7	118	a=7
PPN7PA09C	2 to 7	6.0	10575	47	5.0	0.49	7997	144	20.5	2.0	443	a=11
PPN7PA10C	2 to 7	6.0	12003	47	5.0	0.49	9463	157	23.6	2.3	567	a=11
PPN7PA11B	2 to 7	5.0	12046	57	5.0	0.49	9421	191	22.7	2.2	673	a=7
PPN7PA12C	2 to 7	5.0	14033	84	5.1	0.5	11605	235	29.5	2.9	957	a=11

Characteristics

