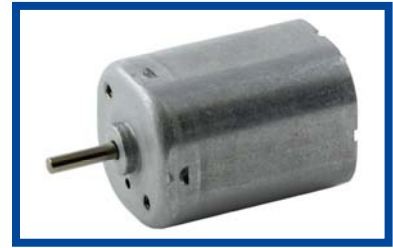
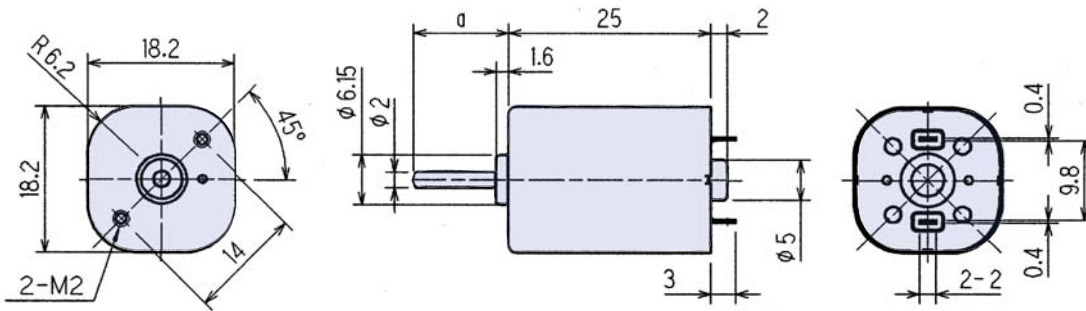


SE18K



Weight: 31.7 g

Outline UNIT:mm



Specifications

Model	Operating Voltage (V)	Rated Voltage (V)	No Load Speed (min^{-1})	No Load Current (mA)	Rated Load		Rated Load Speed (min^{-1})	Rated Load Current (mA)	Starting Torque		Starting Current (mA)	Shaft Length (mm)
					($\text{gf}\cdot\text{cm}$)	($\text{mN}\cdot\text{m}$)			($\text{gf}\cdot\text{cm}$)	($\text{mN}\cdot\text{m}$)		
SE18K1ETM	8 to 13	12.0	4095	73	51.0	5.0	3336	266	275.1	27.0	1114	a=9.9
SE18K1MTM	8 to 13	12.0	6918	118	71.4	7.0	5752	574	423.9	41.5	2824	a=9.9

Characteristics

