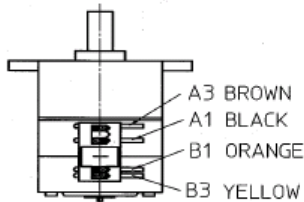
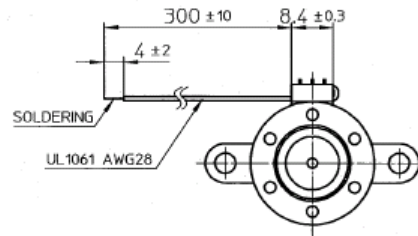
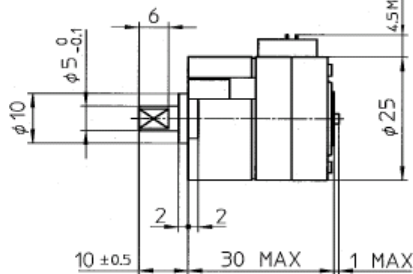
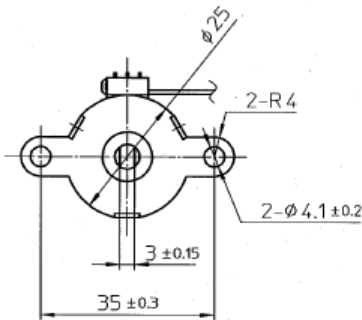


Standard PG Step Motors

PG25L-D24-HHC1

Model Specifications

Model:	PG25L-D24-HHC1
Step Angle:	0.495 °
Drive Voltage:	DC 24.0 V
Shaft Length:	10mm
Wire Length:	300mm fly lead (no connector)
Wire Holder:	90 deg. Left
Gear Ratio:	1/30.1
Electrical:	24V, 250mA
	Bipolar Constant Current
	28 ohms, MS70A



WIRE COLOR CODE

WIRE COLOR	MOTOR
BLACK	A1
BROWN	A3
ORANGE	B1
YELLOW	B3

COLOR	BLACK	BROWN	ORANGE	YELLOW	
STEP	1	-	+	+	-
2	-	+	-	+	
3	+	-	-	+	
4	+	-	+	-	

SWITCHING SEQUENCE
(VIEWED FROM MOUNTING SURFACE)

MARKING

NMB-MAT PG25L-D24-HHC1
JAPAN H0106
<JAPAN>

NMB-MAT PG25L-D24-HHC1
THAILAND TAO106
<THAILAND>

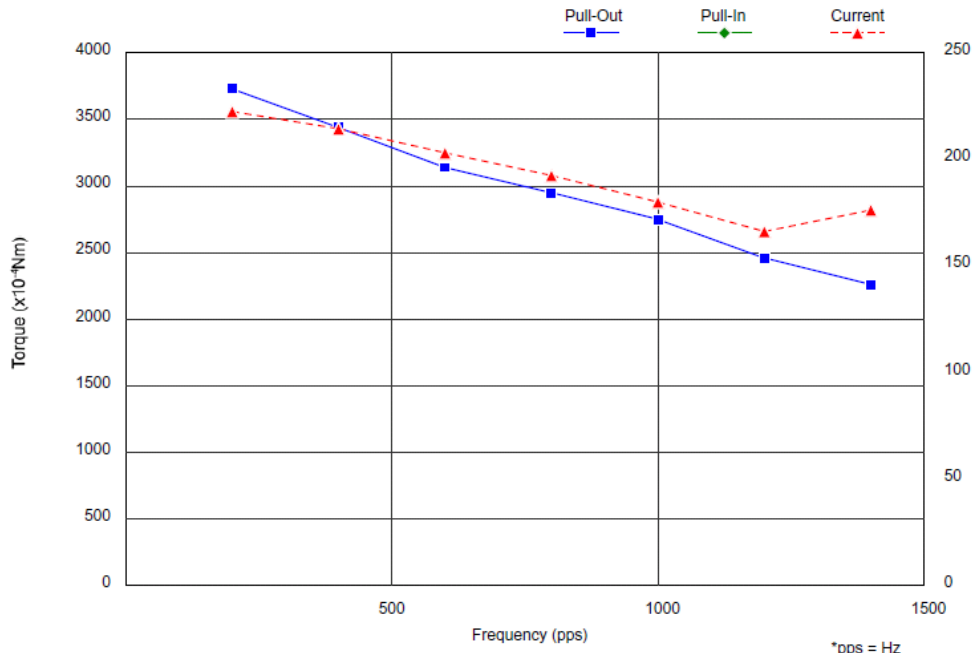
GEAR RATIO : 1 / 30.3

PG25L-D24-HHC1

DYNAMIC TORQUE CHARACTERISTICS (No. 63564)

(ALL VALUES ARE GAINED BY MEASUREMENT AND NOT SPECIFICATIONS VALUES)

Model : PG25L-D24-HHC1
 Drive Mode : BIPOLAR CHOPPER
 Drive Voltage : 24.0 V
 Method : 2-2P
 Drive IC : UDN2916B-V
 Surge/Current : / 250 mA / Phase (Peak)
 Coil Resistance : 28.0 Ω
 Magnet Material : MS70A
 Stator Material : SUY/SPC(Ni)
 Note : GEAR RATIO 1/30.3



Frequency (pps)	200	400	600	800	1000	1200	1400
■ Pull-Out (x10 ⁻⁴ Nm)	3726.7	3432.5	3138.2	2942.1	2746.0	2451.8	2255.6
◆ Pull-In (x10 ⁻⁴ Nm)	3432.5	3138.2	2942.1	2746.0	2451.8	2255.6	2255.6
▲ Current (mA)	222	214	203	192	180	166	176