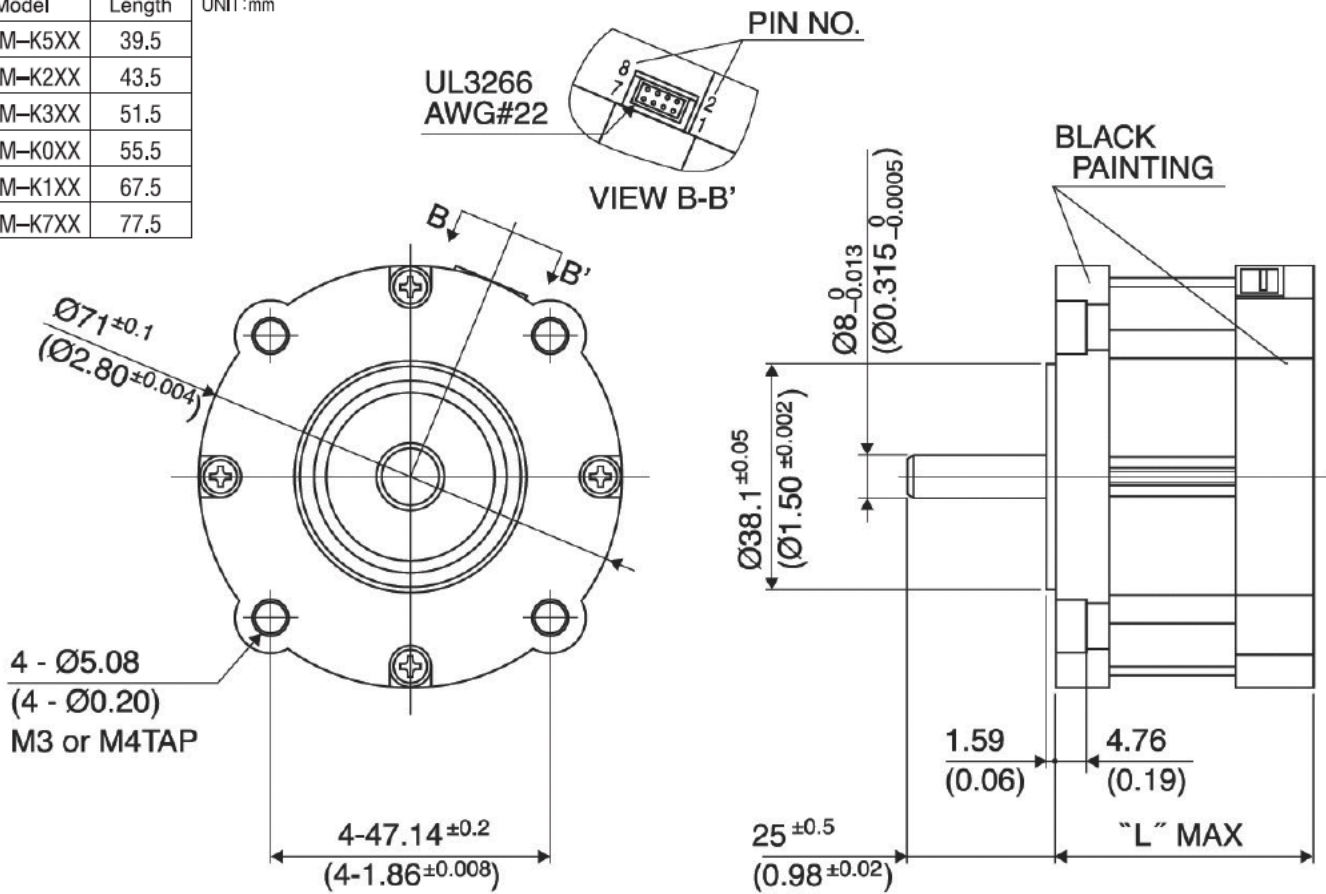


Standard Hybrid Step Motors

29SM-K

29SM-KXXX (71° 1.8°)

Model	Length	UNIT:mm
29SM-K5XX	39.5	
29SM-K2XX	43.5	
29SM-K3XX	51.5	
29SM-K0XX	55.5	
29SM-K1XX	67.5	
29SM-K7XX	77.5	



29SM-K

Part Number	Motor Size [mm]	Step Angle [deg]	Rated Current [A]	Resistance [Ohms]	Holding Torque [mNm]	Mass [g]
29SM-K550-00V/99V	71 ~ 39.5	1.8	1.5	2.1	380	570
29SM-K250-00V/99V	71 ~ 43.5	1.8	1.6	2	580	660
29SM-K379-00V/99V	71 ~ 51.5	1.8	1.9	1.75	820	820
29SM-K035-00V/99V	71 ~ 55.5	1.8	2.2	1.55	900	900
29SM-K138-00V/99V	71 ~ 67.5	1.8	2.6	1.25	1,200	1,180
29SM-K711-00V/99V	71 ~ 77.5	1.8	3.1	0.95	1,550	1,390

Model No : 29SM-K5XX,K2XX,K0XX,K1XX,K3XXU,K3XXB,K7XXU,K7XXB

Driver : Chopper Dual

Supply Voltage : 24.0 (volt)

