

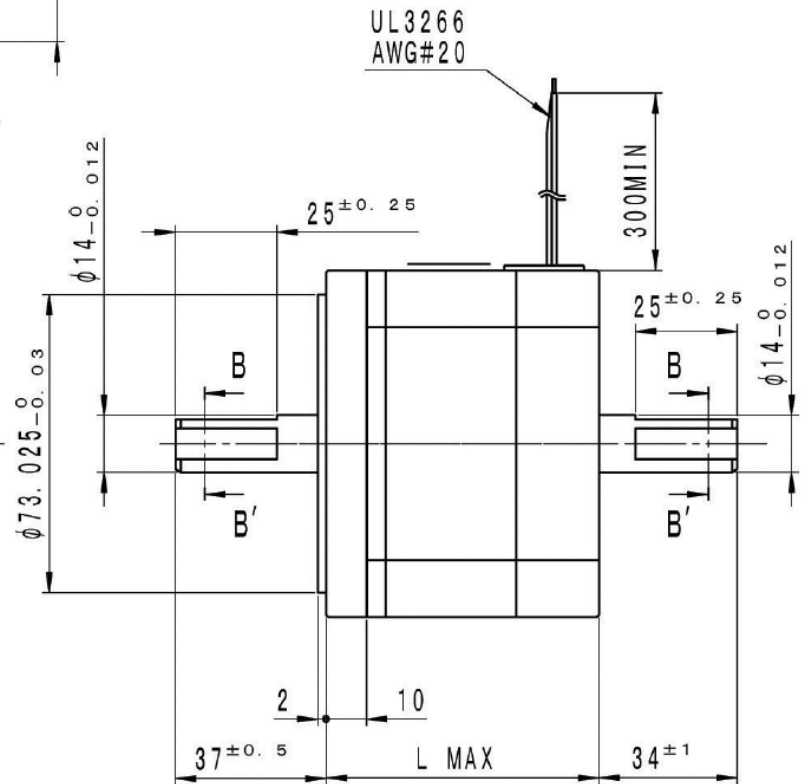
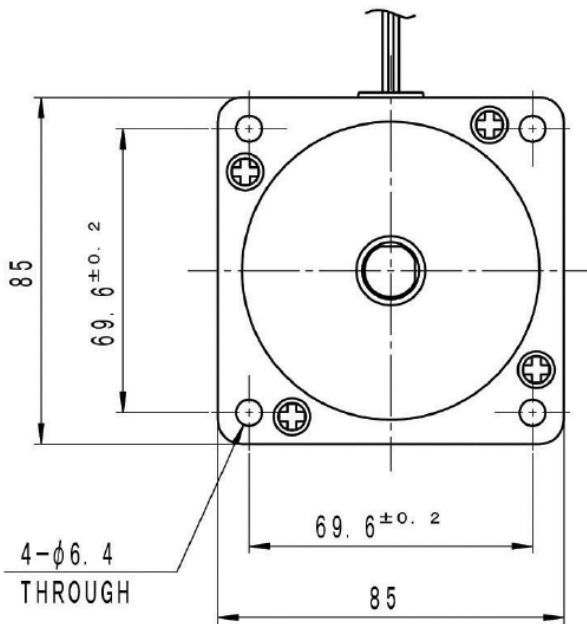
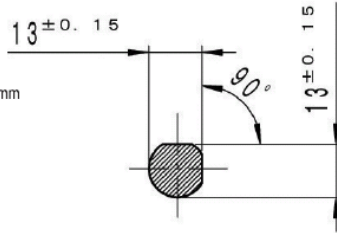
Standard Hybrid Step Motors

34KM-K

34KM-KXXX (85□1.8°)

Model	Length
34KM-K0XX	68
34KM-K1XX	96
34KM-K2XX	124

UNIT: mm



34KM-K

Part Number	[mm]	[deg]	[A]	[Ohms]	[mNm]	[g]
34KM-K023-00W/99W	• 85 • ~68	1.8	1.9	2.8	2,500	1,800
34KM-K012-00W/99W	• 85 • ~68	1.8	3	1.1	2,500	1,800
34KM-K006-00W/99W	• 85 • ~68	1.8	4.8	0.45	2,500	1,800
34KM-K122-00W/99W	• 85 • ~96	1.8	1.9	3.9	4,800	2,900
34KM-K112-00W/99W	• 85 • ~96	1.8	3	1.5	4,800	2,900
34KM-K106-00W/99W	• 85 • ~96	1.8	4.8	0.65	4,800	2,900
34KM-K221-00W/99W	• 85 • ~124	1.8	2	4.9	6,700	4,000
34KM-K206-00W/99W	• 85 • ~124	1.8	4.8	0.85	6,700	4,000

Model No : 34KM-K006U,K012U,K023U,K106U,K112U,K122U,K206U
 Driver : Chopper Dual
 Supply Voltage : 24.0 (volt)

