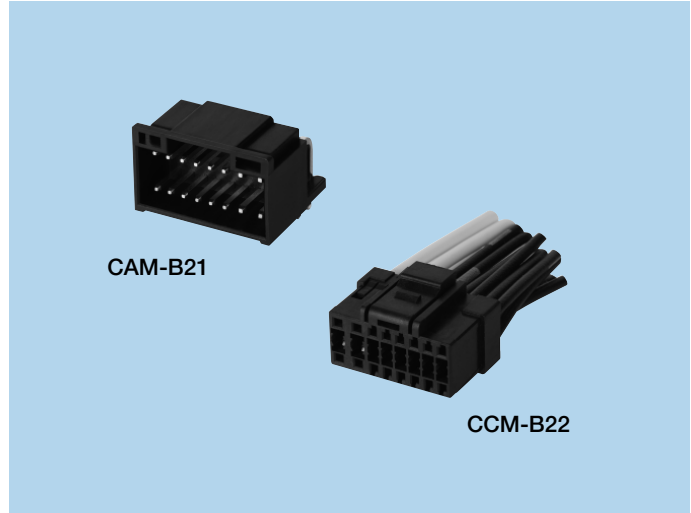


Power Supply Voltage & Signal CAM-B21, CCM-B22

FEATURES

1. This is a 16-pole power connector and its plug side is an angle type.
2. Because of a lock mechanism, fitting can be surely performed.
3. This consists of 4 poles for power supply contact and 12 poles for signal contact.



HOW TO ORDER

1. CAM-B21 (Plug)

B21 - **016** - **020** - □□□□□ (- □)

1 2

- 1 Series No. (B21)
- 2 No. of contacts (016 : 16pins)

2. CCM-B22 (Socket)

B22 - **016** - □□□□□

1 2 3

- 1 Series No. (B22)
- 2 No. of contacts (016 : 16pins)
- 3 Running No. assigned by us

* The product number of each part unit is as follows.

| | |
|------------------|--------------|
| Housing | ZM-B22-□□□□□ |
| Signal Pin | ZC-B22-□□□□□ |
| Power Supply Pin | ZC-B22-□□□□□ |

SPECIFICATIONS

ELECTRICAL CHARACTERISTICS

| | |
|-----------------------|---|
| Rated Voltage | 16V DC |
| Rated Current | Signal terminal : 5A(Power supply terminal : 10A) |
| Withstanding Voltage | 500V AC(rms) 1minute |
| Insulation Resistance | 100MΩ min. (500V DC) |
| Contact Resistance | 70mΩ max. |

MECHANICAL CHARACTERISTICS

| | |
|-------------------------|------------|
| Life (Matching Cycle) | 30 times |
| Total Insertion Force | 68.6N max. |
| Total Withdrawal Force | 9.8N min. |
| Using Temperature Range | -35~+85°C |

• Any products mentioned in this catalog are subject to any modification in their appearance and others for improvements without prior notification.
 • The details listed here are not a guarantee of the individual products at the time of ordering. When using the products, you will be asked to check their specifications.

MATERIAL & FINISH

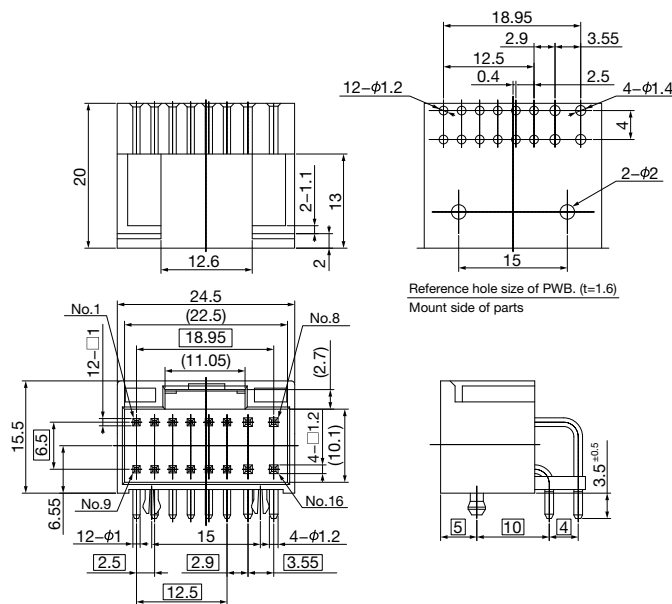
| Component Parts | | Material | Finish |
|---------------------|-------------|------------------------|--------------------|
| CAM-B21 (Plug) | Housing | Glass filled PBT resin | |
| | Contact Pin | Brass | Tin reflow plating |
| CCM-B22 (Socket) | Housing | 46 Nylon | |
| | Contact Pin | Copper alloy | Tin reflow plating |

WIRE SIZES

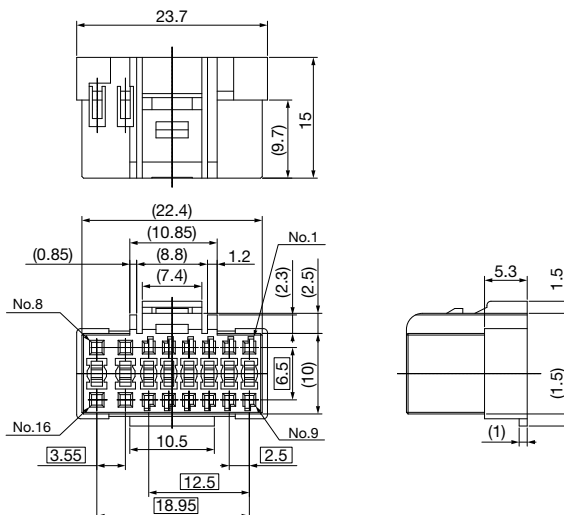
| | For Signal | For Power Supply |
|------------------------|----------------------------|-----------------------------|
| Wire Sizes | AVS 0.5f(AWG20 Correspond) | AVS 1.25f(AWG16 Correspond) |
| Wire Covering Diameter | $\phi 2.0 \sim 2.1$ | $\phi 2.5 \sim 2.6$ |

DIMENSIONS

CAM-B21 (Plug)



CCM-B22 (Socket)



Unit : mm

• Any products mentioned in this catalog are subject to any modification in their appearance and others for improvements without prior notification.
 • The details listed here are not a guarantee of the individual products at the time of ordering. When using the products, you will be asked to check their specifications.