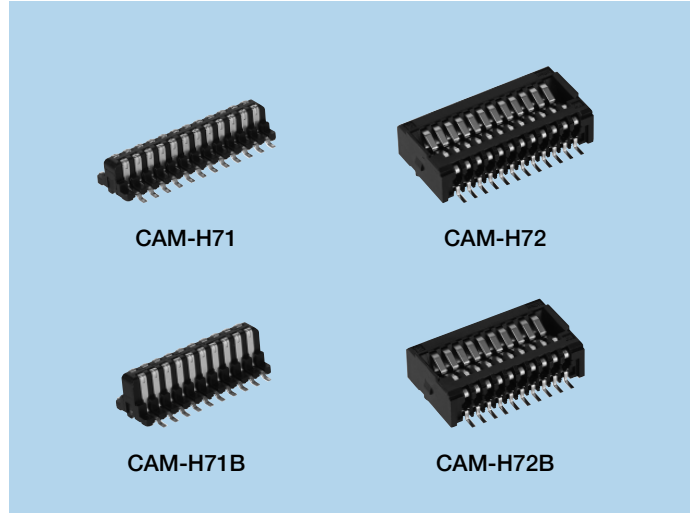


Detach Connectors

CAM-H71, CAM-H72, CAM-H71B, CAM-H72B

FEATURES

1. Connector that is used for connection/ disconnection between the operating panel and a unit.
2. The deviation absorption amount at fitting is  $\pm 0.4\text{mm}$  in the X direction,  $\pm 0.4\text{mm}$  in the Y direction, and  $\pm 0.5\text{mm}$  in the Z direction.
3. Product applicable to reflow mounting.
4. This most suitable connector for rotation fitting permits insertion and removal easily because of its repulsive power.



HOW TO ORDER

1. CAM-H71/H71B

-  - 230 - AGGAA - 1 -

1                    2

- 1 Series No. (H71, H71B)
- 2 No. of contacts (024 : 24pins, 020 : 20pins)

2. CAM-H72/H72B

-  - 230 - AGGAA

1                    2

- 1 Series No. (H72, H72B)
- 2 No. of contacts (024 : 24pins, 020 : 20pins)

## SPECIFICATIONS

### ELECTRICAL CHARACTERISTICS

Rated Voltage	14V DC
Rated Current	1A
Withstanding Voltage	500V AC (rms) 1minute
Insulation Resistance	500MΩ min. (500V DC)
Contact Resistance	50mΩ max.

### MECHANICAL CHARACTERISTICS

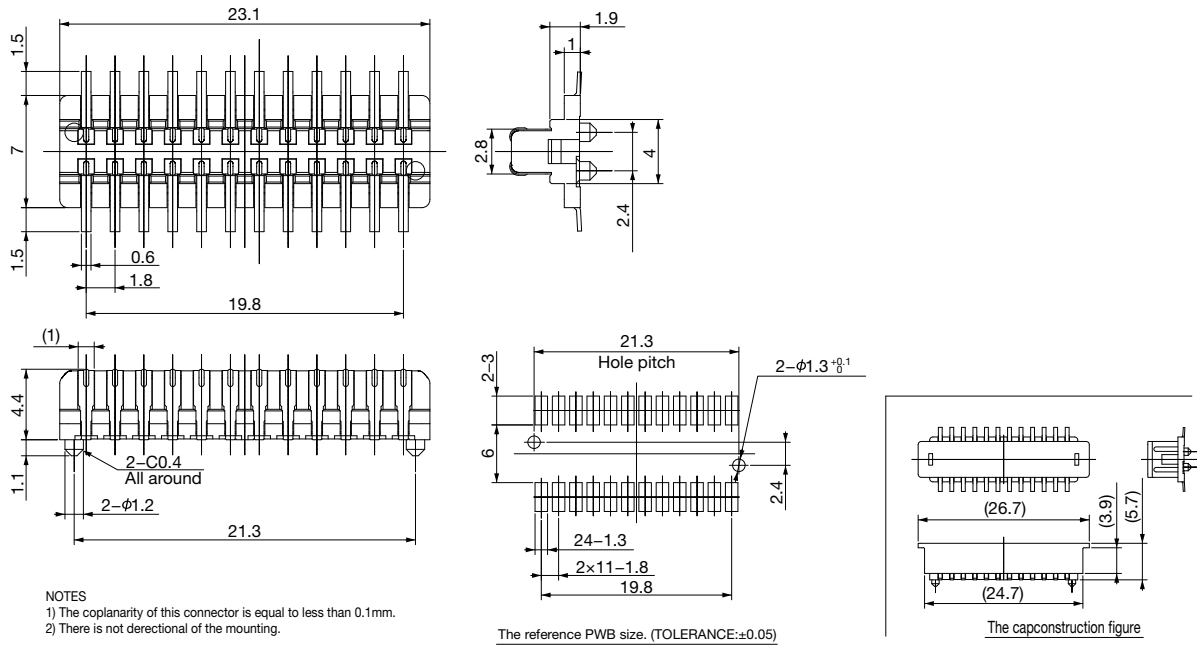
Life (Matching Cycle)	30,000 times
Total Insertion Force	10.7N max.
Total Withdrawal Force	9.1N max.
Using Temperature Range	-30~+85°C

## MATERIAL & FINISH

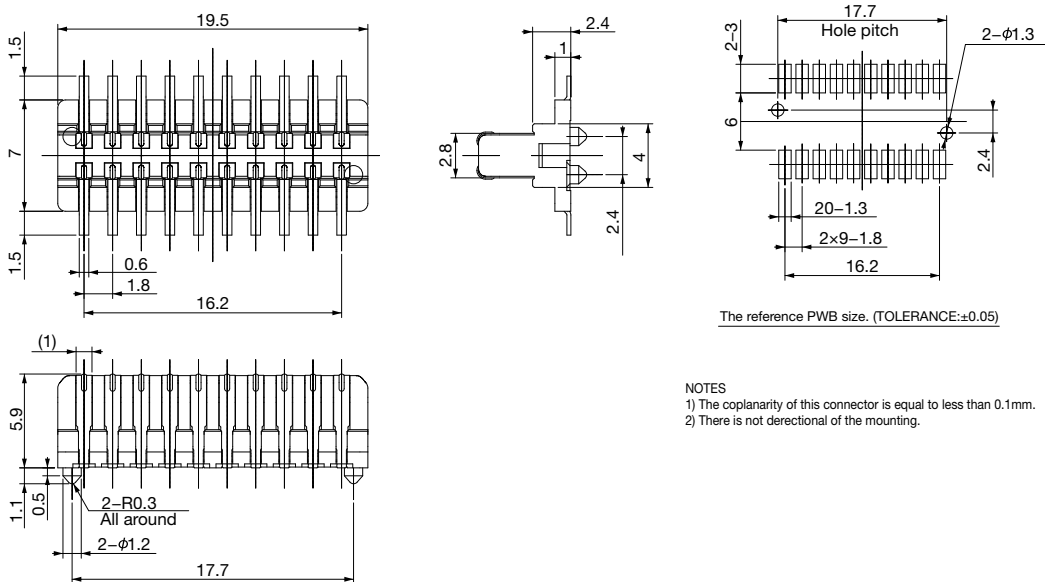
Component Parts		Material	Finish
CAM-H71 CAM-H71B	Housing	Nylon resin	(Black)
	Contact Pin	Copper alloy	Gold selective plating
	Cap	Nylon resin	(Black)
LCP resin			
CAM-H72 CAM-H72B	Housing	Nylon resin	(Black)
	Contact Pin	Copper alloy	Gold selective plating
	Polymid Tape	Polymid resin	(Brown)

# DIMENSIONS

## CAM-H71

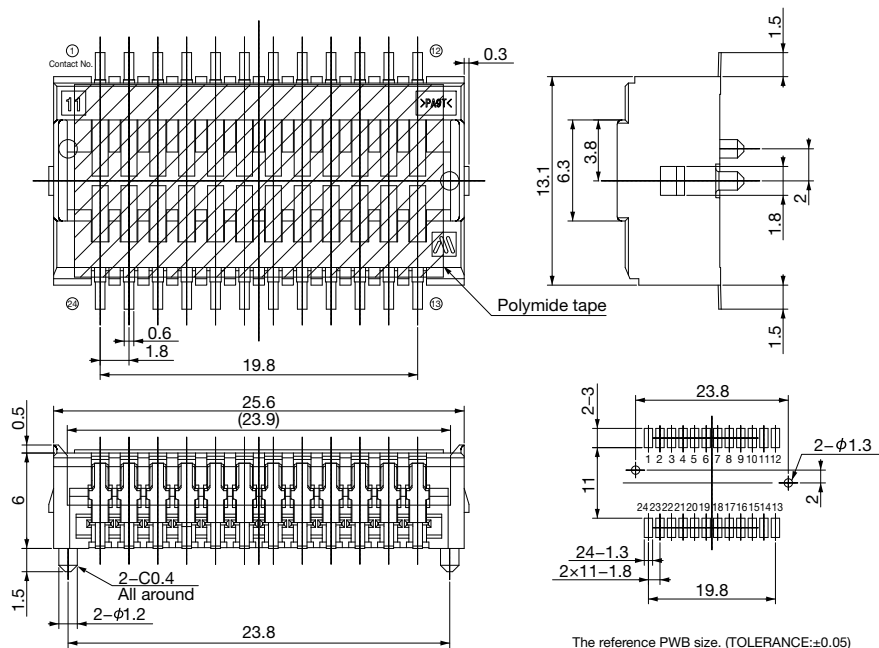


## CAM-H71B



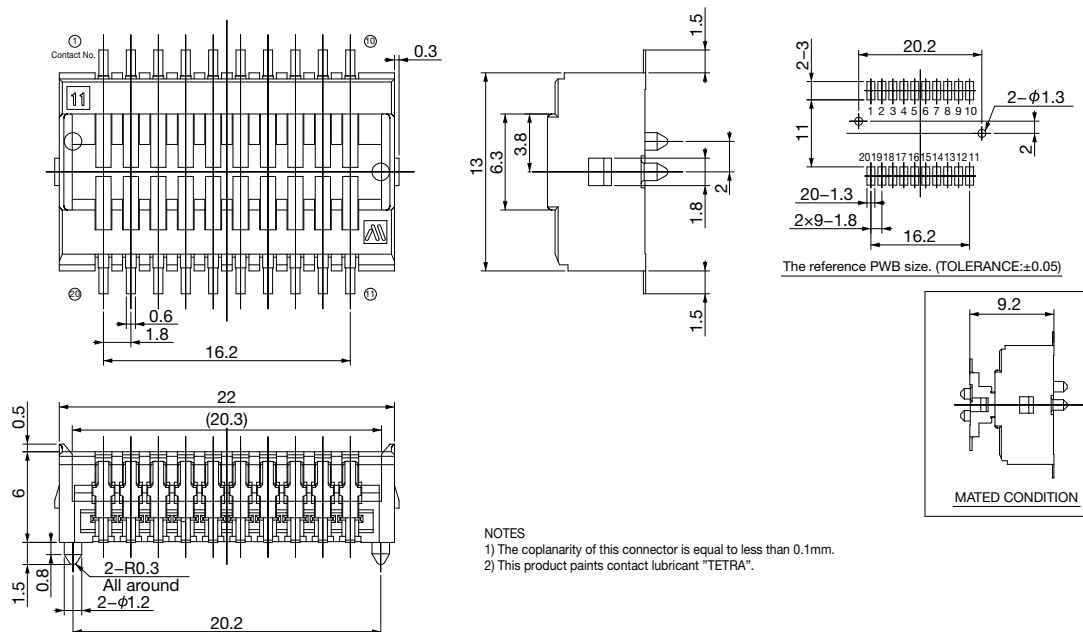
Unit : mm

CAM-H72



NOTES  
 1) The coplanarity of this connector is equal to less than 0.1mm.  
 2) Polymide tape stick out is OK to the range which carrier tape can be stored.

CAM-H72B



NOTES  
 1) The coplanarity of this connector is equal to less than 0.1mm.  
 2) This product paints contact lubricant "TETRA".

Unit : mm