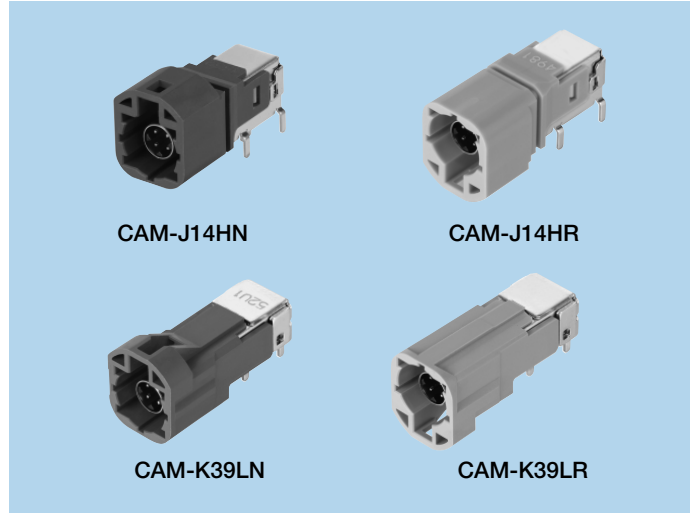


# HSD Connector Light

## CAM-J14HN/HR, CAM-K39LN/LR

### FEATURES

1. Capable of high speed data transmission such as USB2.0, LVDS, and Ethernet, etc.
2. Shell structure has made by stamping to reduce connector's weight.
3. Selectable variations of the number of power supply pins: 2pins, 4pins, and 8pins.
4. Each coding (mating key) is available.
5. Compatible with Pin-in-Paste.
6. Compliant with RoHS Directive.



### HOW TO ORDER

1. CAM-J14HN/HR

**J14** - **004** - **230** - ANBAA -  $\frac{\square}{3}$   
1          2                                  3

- 1 Series No. (J14HN/HR)
- 2 No. of contacts (004 : 4pins)
- 3 Coding (A to F, Z / G to M, P)

2. CAM-K39LN/LR

**K39** - **004** - **230** - ANBAA -  $\frac{\square}{3}$   
1          2                                  3

- 1 Series No. (K39LN/LR)
- 2 No. of contacts (004 : 4pins)
- 3 Coding (A to F, Z / G to M, P)

## SPECIFICATIONS

### ELECTRICAL CHARACTERISTICS

Rated Voltage	100V DC
Rated Current	1.5A DC
Characteristic Impedance	100Ω
Insertion Loss	≤0.1dB to 1GHz
Return Loss	≤-20dB to 1GHz ≤-17dB to 2GHz

### MECHANICAL CHARACTERISTICS

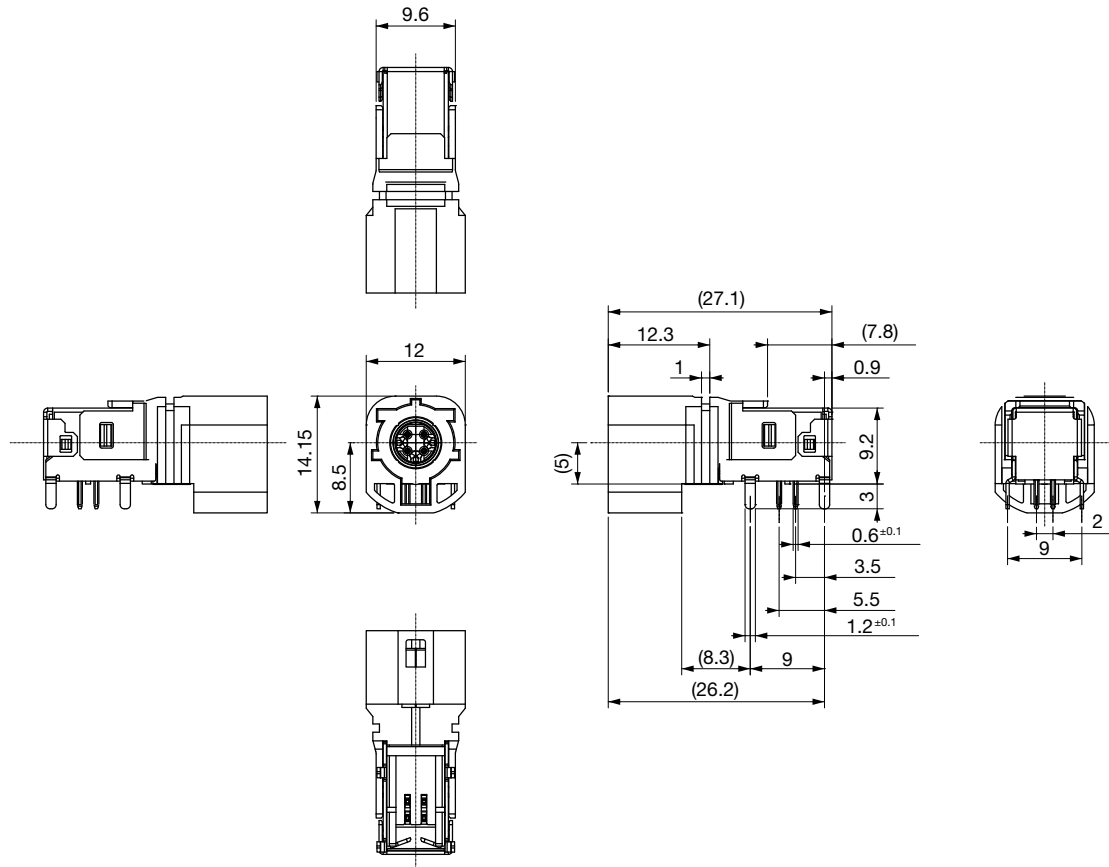
Life (Mating Cycle)	25 times
Total Insertion Force	≤30N
Total Withdrawal Force	5N to 30N

## MATERIAL & FINISH

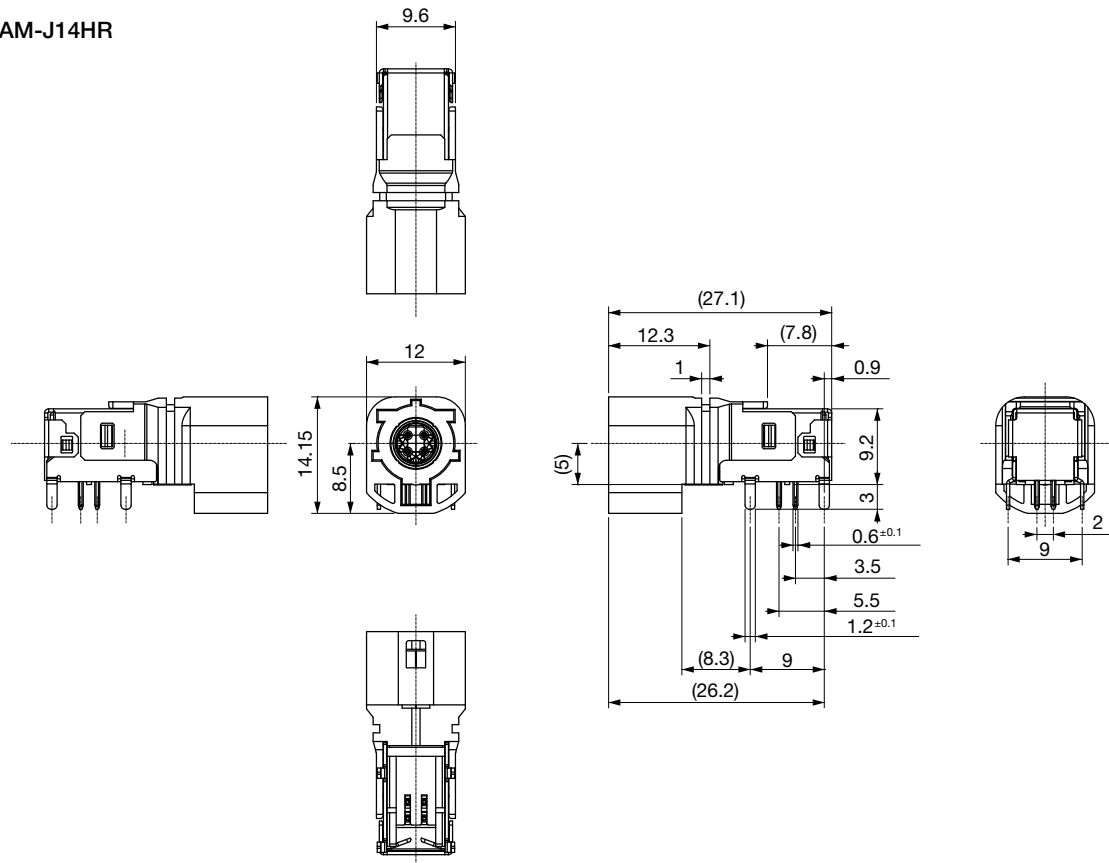
Component Parts		Material	Finish
CAM-J14 HN/HR Right Angle	Signal Pin	Copper alloy	Gold selective plating
	Housing	PA resin	Black
	Shell	Copper alloy	Ni plating
	Cover	PBT resin	Corresponds to each coding
	Outer Contact	Copper alloy	Ni plating
	Shield Cover	Copper alloy	Ni plating
CAM-K39 LN/LR Right Angle Low height	Signal Pin	Copper alloy	Gold selective plating
	Housing	PA resin	Black
	Shell	Copper alloy	Ni plating
	Cover	PBT resin	Corresponds to each coding
	Outer Contact	Copper alloy	Ni plating
	Shield Cover	Copper alloy	Ni plating

## DIMENSIONS

CAM-J14HN

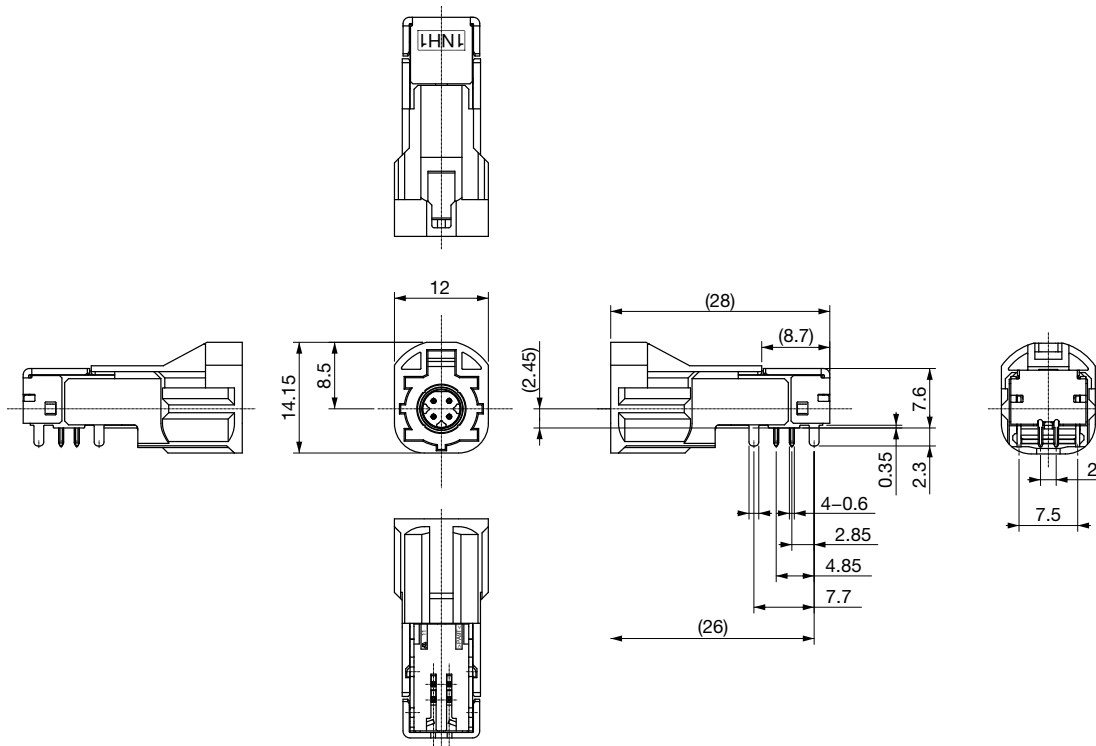


CAM-J14HR

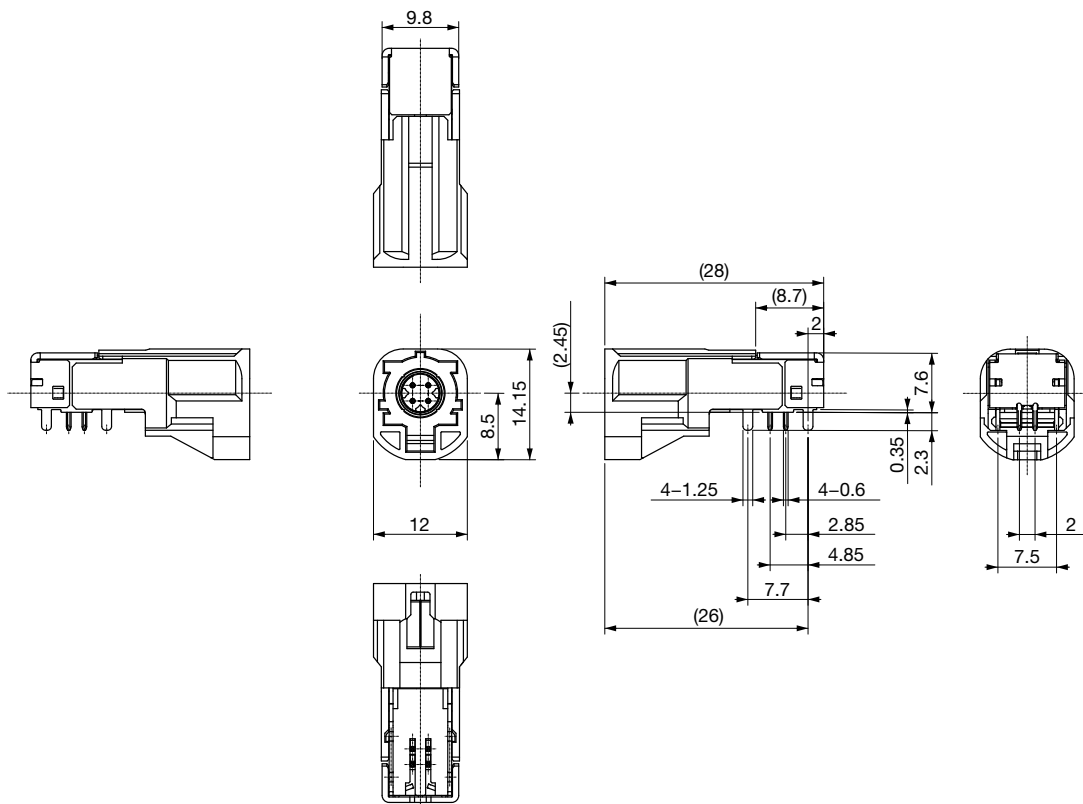


Unit : mm

CAM-K39LN



CAM-K39LR



Unit : mm

• Any products mentioned in this catalog are subject to any modification in their appearance and others for improvements without prior notification.  
 • The details listed here are not a guarantee of the individual products at the time of ordering. When using the products, you will be asked to check their specifications.