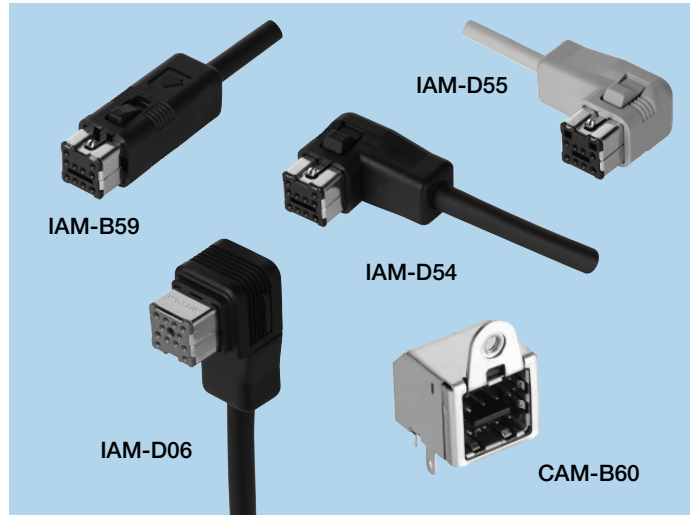


Rectangular Connectors

IAM-B59, D54, D55, D06, CAM-B60

FEATURES

1. 2mm pitch connector of 8-pole/10-pole/12-pole type to be used between a board and a cable.
2. Provided with a lock mechanism that permits a secure connection.
3. A guide pin is adopted to protect the receptacle-side terminal at fitting.
4. On the receptacle side, a shield case with a double structure is adopted in consideration of EMI.
5. 2 pins of the power terminal are mounted.
(Rated 4 A terminal)



HOW TO ORDER

1. Cable

B59 - 008 -

1 2 3

- 1 Series No. (B59 : Straight, D54 : Left Angle, D55 : Right Angle, D06 : Top Angle)
- 2 No. of contacts (008 : 08pins, 010 : 10pins, 012 : 12pins)
- 3 Number of specification

2. Receptacle

B60 - 008 -

1 2 3

- 1 Series No. (B60 : Angle PTH type)
- 2 No. of contacts (008 : 08pins, 010 : 10pins, 012 : 12pins)
- 3 Number of specification

SPECIFICATIONS

ELECTRICAL CHARACTERISTICS

Rated Voltage	30V DC
Rated Current	1A(Power terminal : 4A)
Withstanding Voltage	500V AC(rms) 1minute
Insulation Resistance	100MΩ min. (500V DC)
Contact Resistance	30mΩ max.

MECHANICAL CHARACTERISTICS

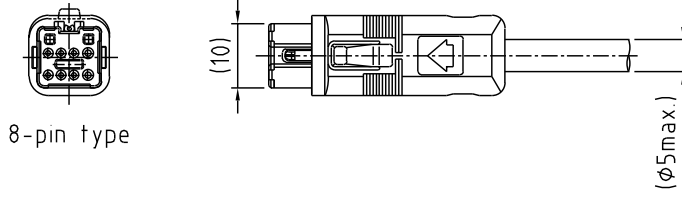
Life (Matching Cycle)	200 times
Total Insertion Force	49N max.
Total Withdrawal Force	3~49N max.
Using Temperature Range	-30~+85°C

MATERIAL & FINISH

Component Parts		Material	Finish
IAM-B59, D54, D55, D06 Cable Type	Housing	PBT resin	-
	Contact Pin	Copper alloy	Tin reflow plating
	Shield Case	Steel	Nickel plating
	Cover	PBT resin	-
	Locks	Copper alloy	Nickel plating
	Cord Clamper	Aluminum	-
CAM-B60 Receptacle	Housing	PBT resin	-
	Contact Pin	Copper alloy	Tin reflow plating
	Inner Shielded Case	Copper alloy	Tin reflow plating
	Outer Shielded Case	Steel	Tin reflow plating
	Guide Pin	Stainless	For 12pin use only

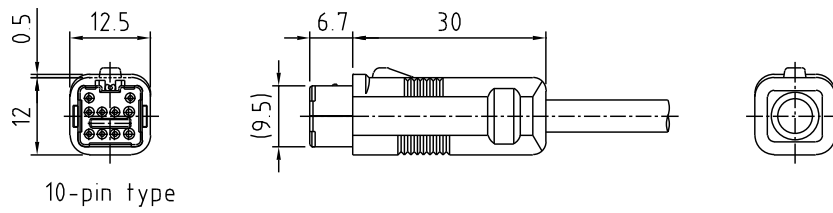
DIMENSIONS

IAM-B59 Series (8 pins type)



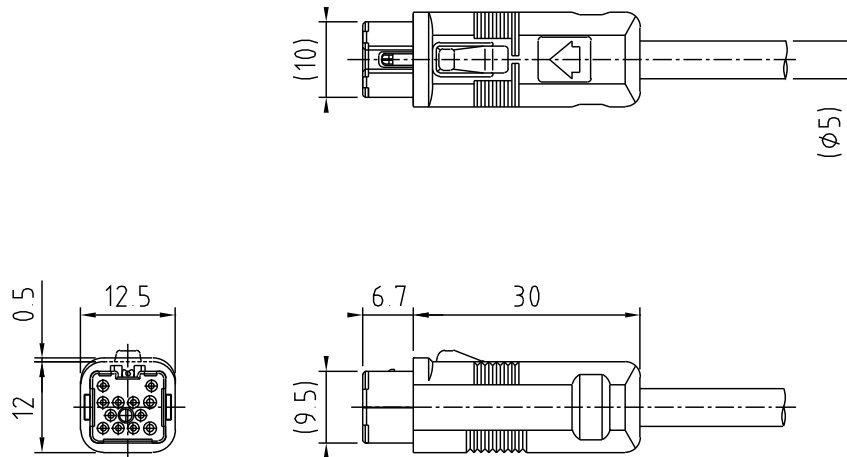
8-pin type

IAM-B59 Series (10 pins type)

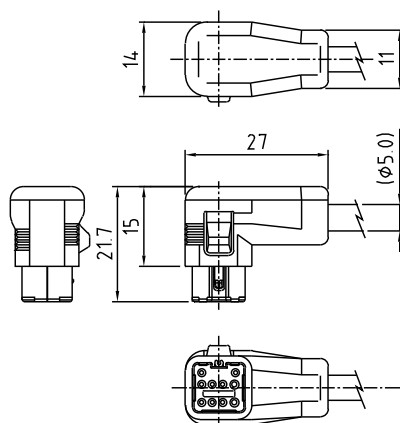


10-pin type

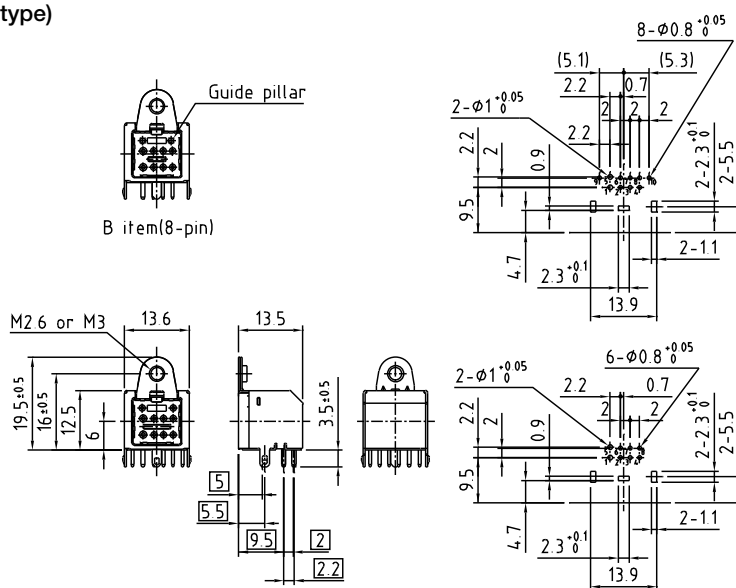
IAM-B59 Series (12 pins type)



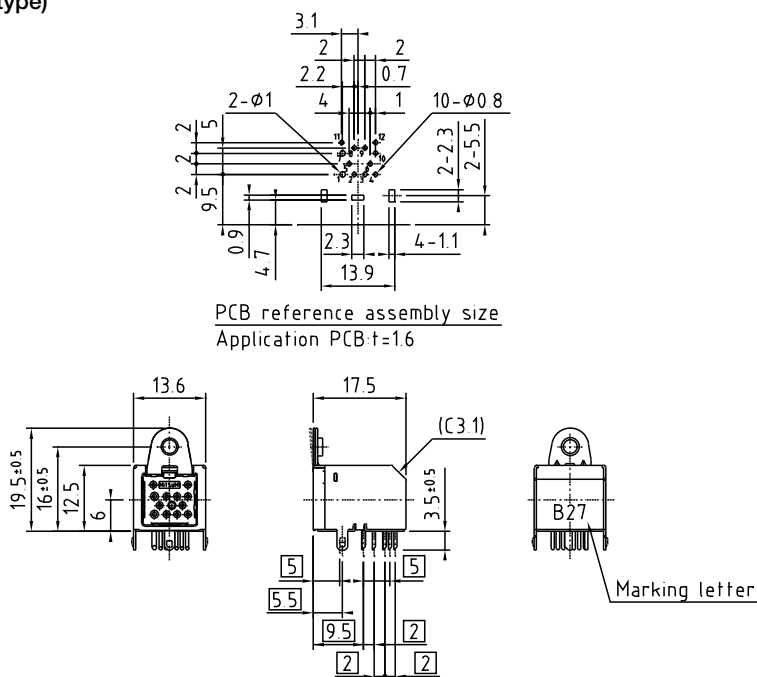
IAM-D54



CAM-B60 Series (8 pins type)



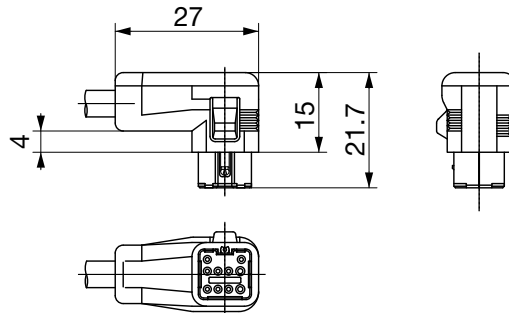
CAM-B60 Series (12 pins type)



Unit : mm

• Any products mentioned in this catalog are subject to any modification in their appearance and others for improvements without prior notification.
 • The details listed here are not a guarantee of the individual products at the time of ordering. When using the products, you will be asked to check their specifications.

IAM-D55



IAM-D06

