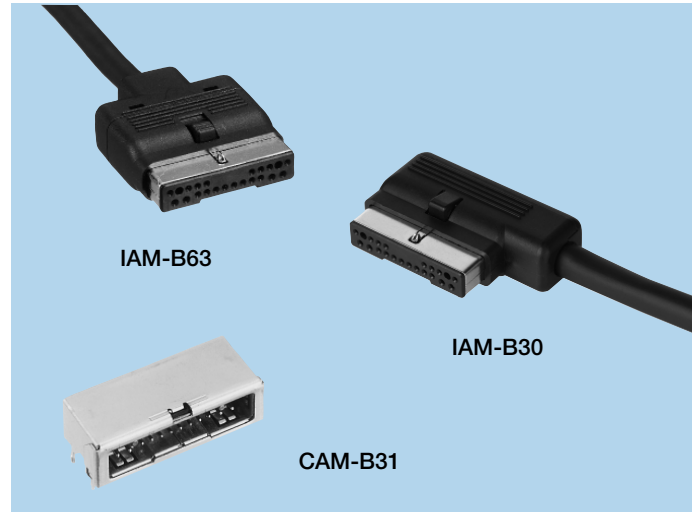


# Rectangular Connectors

## IAM-B63, B30, CAM-B31

### FEATURES

1. 2mm pitch connector of 20-pole type to be used between a board and a cable.  
(Power terminal 2.5mm pitch)
2. Provided with a lock mechanism that permits a secure connection.
3. A guide pin is adopted to protect the receptacle-side terminal at fitting.
4. On the receptacle side, a shield case with a double structure is adopted in consideration of EMI.
5. 4 pins of the power terminal are mounted.  
(Rated 4 A terminal)



### HOW TO ORDER

1. Cable

**B63** - **020** -

1            2                            3

- 1 Series No. (B63 : Straight, B30 : Left Angle)
- 2 No. of contacts (020 : 20pins, 022 : 22pins)
- 3 Number of specification

2. Receptacle

**B31** - **020** -

1            2                            3

- 1 Series No. (B31 : Angle PTH type)
- 2 No. of contacts (020 : 20pins, 022 : 22pins)
- 3 Number of specification

## SPECIFICATIONS

### ELECTRICAL CHARACTERISTICS

Rated Voltage	30V DC
Rated Current	1A(Power terminal : 4A)
Withstanding Voltage	500V AC(rms) 1minute
Insulation Resistance	100MΩ min. (500V DC)
Contact Resistance	30mΩ max.

### MECHANICAL CHARACTERISTICS

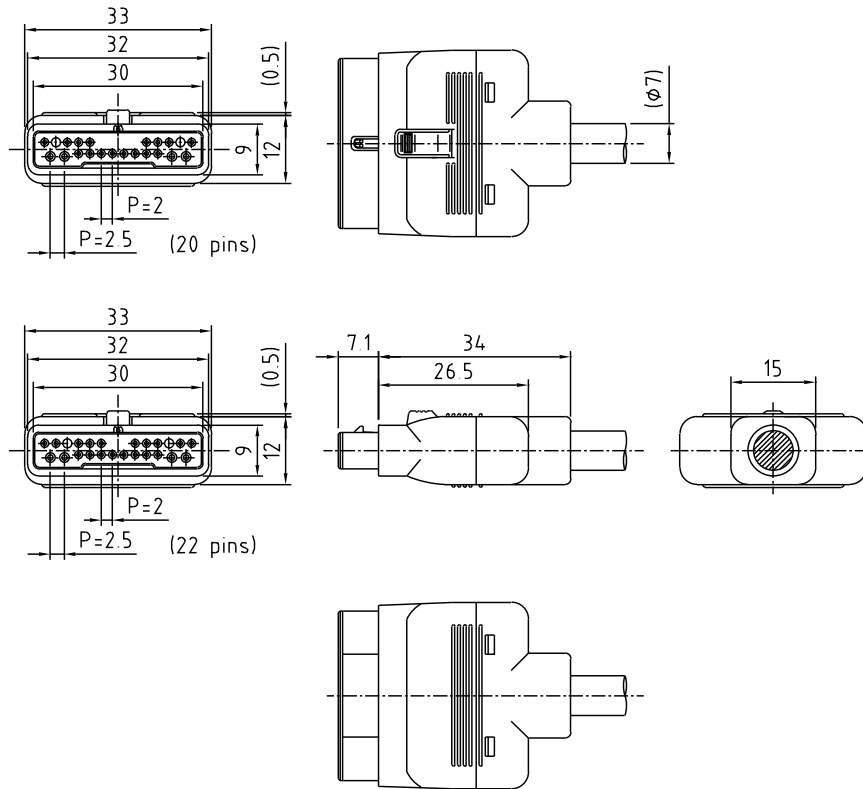
Life (Matching Cycle)	200 times
Total Insertion Force	69N max.
Total Withdrawal Force	3~69N max.
Using Temperature Range	-30~+85°C

## MATERIAL & FINISH

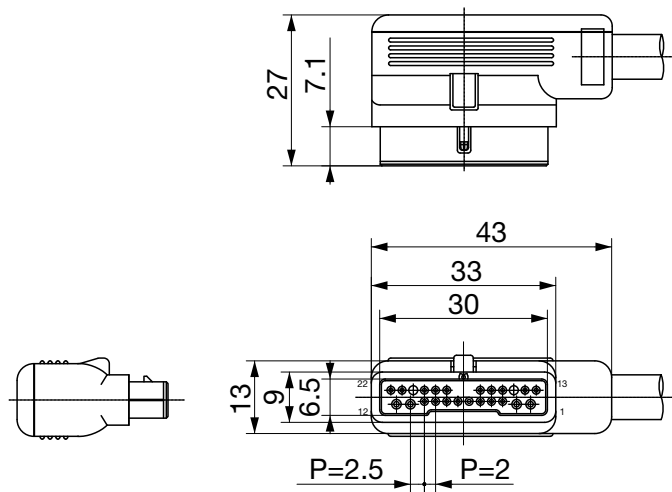
Component Parts		Material	Finish
IAM-B63 B30 Cable Type	Housing	PBT resin	-
	Contact Pin	Copper alloy	Tin reflow plating
	Shield Case	Steel	Nickel plating
	Cover	PBT resin	-
	Locks	Copper alloy	Nickel plating
	Cord Clamper	Aluminum	-
CAM-B31 Receptacle	Housing	PBT resin	-
	Contact Pin	Copper alloy	Tin reflow plating
	Inner Shielded Case	Copper alloy	Tin reflow plating
	Outer Shielded Case	Steel	Tin reflow plating
	Guide Pin	Stainless	-

## DIMENSIONS

### IAM-B63 Series (20 pins)

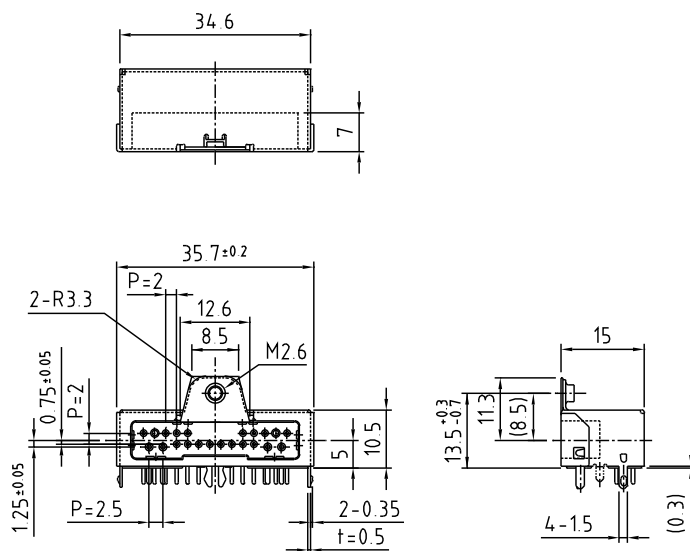


### IAM-B30 Series (20 pins)



Unit : mm

CAM-B31 Series (20 pins)



Unit : mm

• Any products mentioned in this catalog are subject to any modification in their appearance and others for improvements without prior notification.  
 • The details listed here are not a guarantee of the individual products at the time of ordering. When using the products, you will be asked to check their specifications.