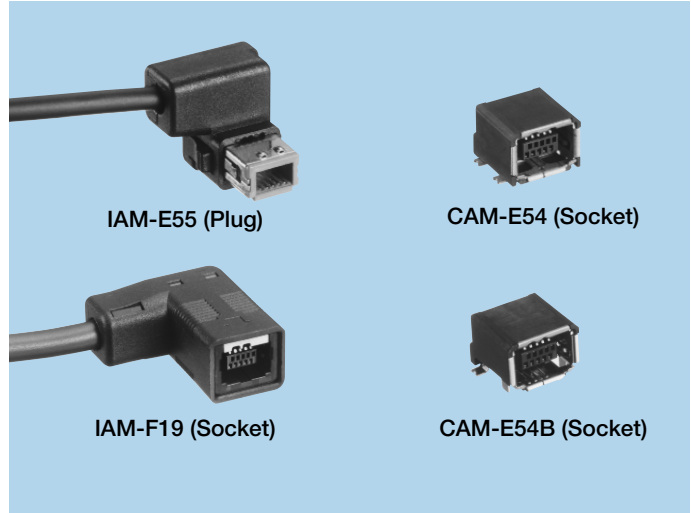


Rectangular Connectors

IAM-E55, F19, CAM-E54, E54B

FEATURES

1. 1mm pitch connector of 10-pole type to be used between a board and a cable.
2. Provided with a lock mechanism that permits a secure connection.
3. A mis-insertion-proof key for fitting is adopted.
4. The service life related to insertion/removal is 5,000 times.



HOW TO ORDER

1. Cable

E55 - 010 -

1 2 3

- 1 Series No. (E55 : Right Angle, F19 :Right Angle for relay)
- 2 No. of contacts (010 : 10pins)
- 3 Number of specification

2. Receptacle

E54 - 010 -

1 2 3

- 1 Series No. (E54 : Angle SMD type, E54B : Angle SMD type, For the fitting-side GND only, the PTH type is adopted.)
- 2 No. of contacts (010 : 10pins)
- 3 Number of specification

SPECIFICATIONS

ELECTRICAL CHARACTERISTICS

Rated Voltage	30V DC
Rated Current	0.5A(1A up to pin 4)
Withstanding Voltage	300V AC(rms) 1minute
Insulation Resistance	100MΩ min. (500V DC)
Contact Resistance	100mΩ max.

MECHANICAL CHARACTERISTICS

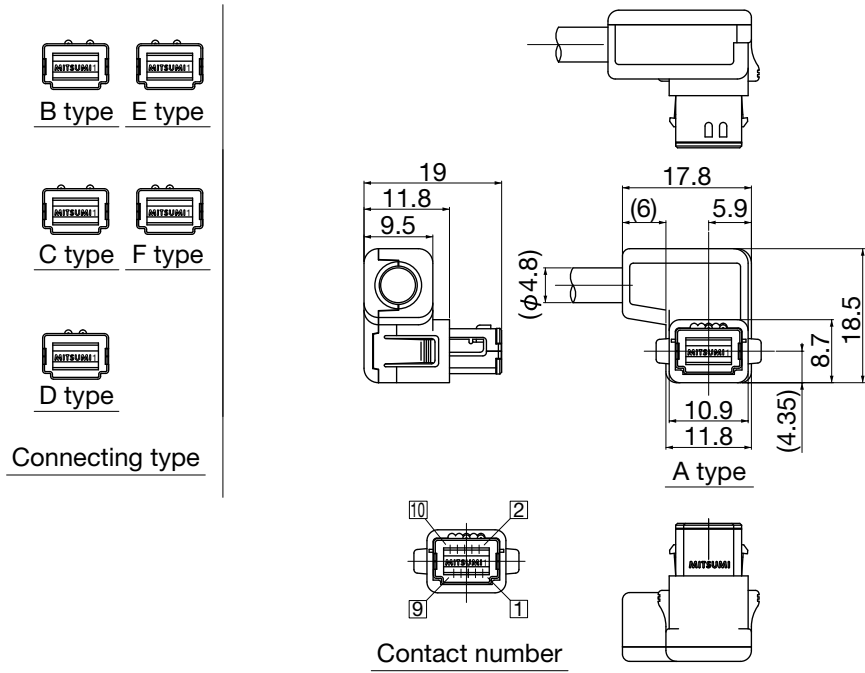
Life (Matching Cycle)	5,000 times
Total Insertion Force	39.2N max.
Total Withdrawal Force	1.96~39.2N max.
Using Temperature Range	-30~+85°C

MATERIAL & FINISH

Component Parts		Material	Finish
IAM-E55, F19 Cable Type	Housing	PBT resin	-
	Contact Pin	Copper alloy	Tin reflow plating
	Shield Case	Steel	Nickel plating
	Cover	PBT resin	-
	Locks	Copper alloy	Nickel plating
	Cord Clamper	Steel	-
CAM-E54, E54B Receptacle	Housing	Nylon	-
	Contact Pin	Copper alloy	Tin reflow plating
	Shielded Case	Copper alloy	Tin reflow plating

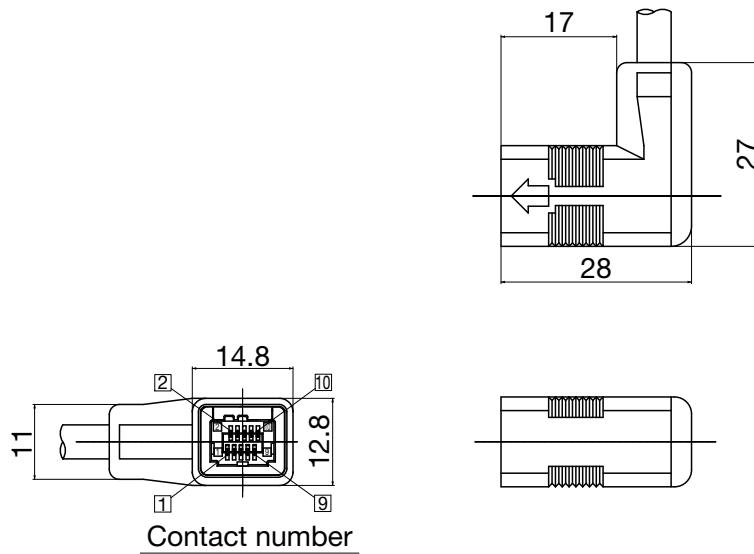
DIMENSIONS

IAM-E55



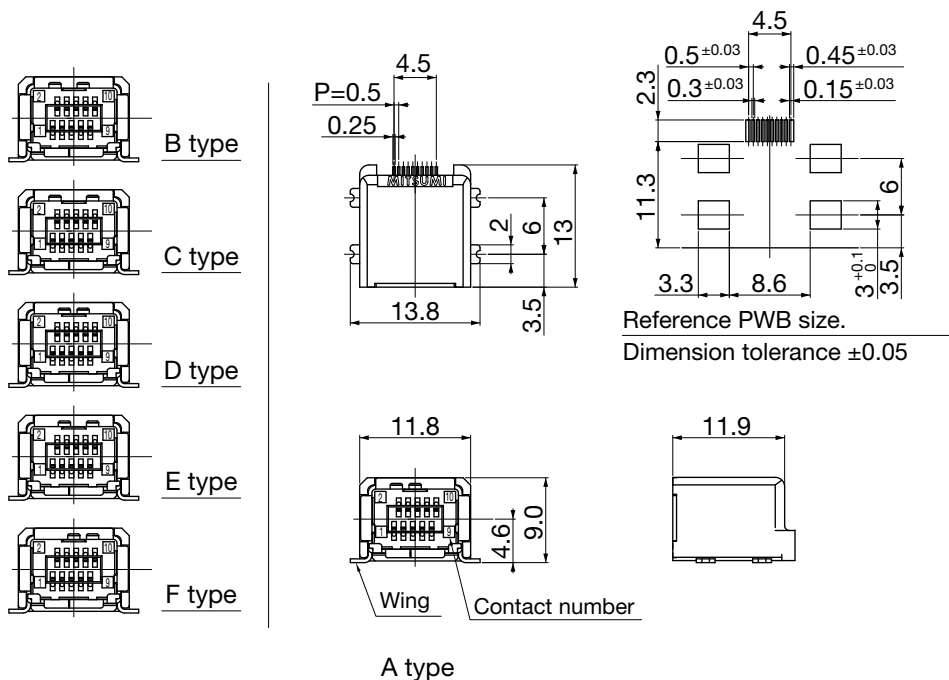
Unit : mm

IAM-F19



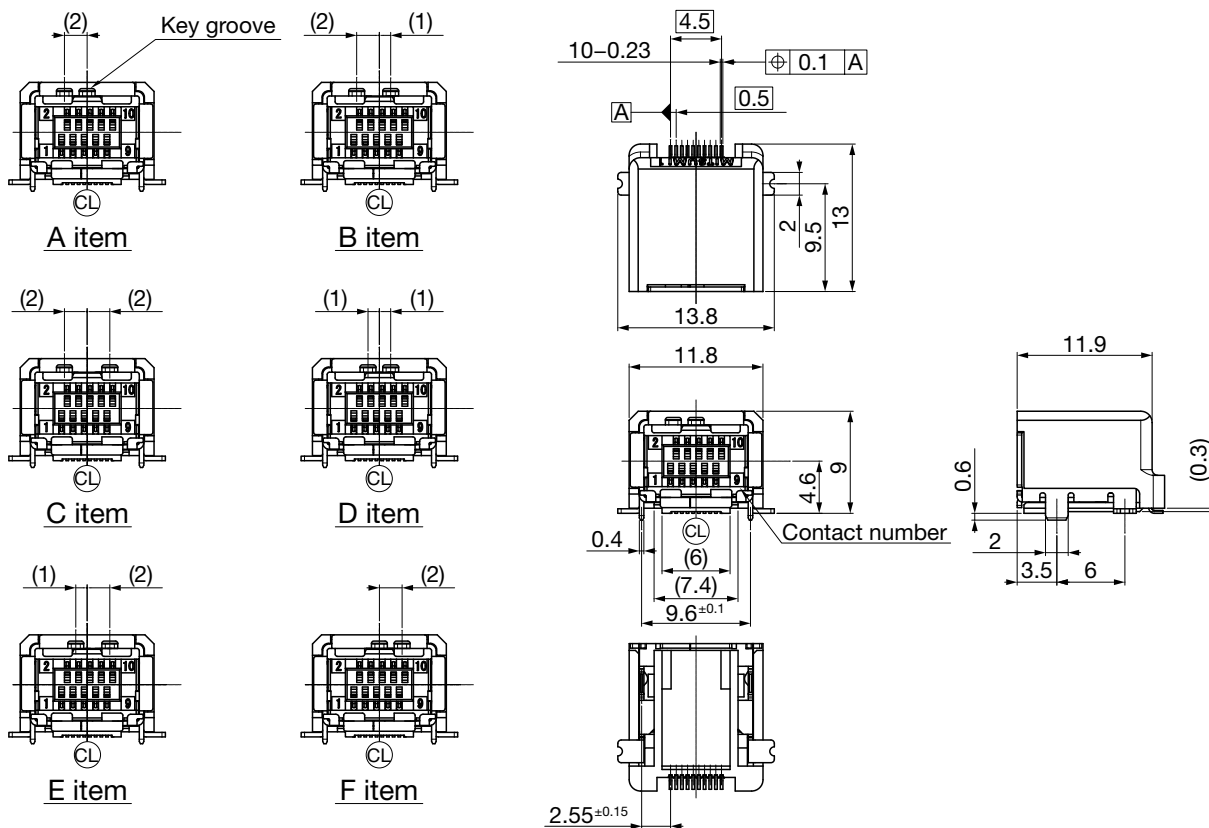
Unit : mm

CAM-E54



Unit : mm

CAM-E54B



• Any products mentioned in this catalog are subject to any modification in their appearance and others for improvements without prior notification.
 • The details listed here are not a guarantee of the individual products at the time of ordering. When using the products, you will be asked to check their specifications.