

High Voltage, High Accuracy Synchronous Buck DC/DC Converter

MM3543BH / MM3542BF

Description

This is a synchronous buck DC/DC converter IC.
 Maximum output current of 3A / 2A min at wide voltage input range 4.5 to 20 V.
 High accuracy reference $\pm 1\%$, and fast transient response achieved by current mode control.
 Achieves high efficiency, space saving, and cost reduction by built in low ON-resistor MOSFET.

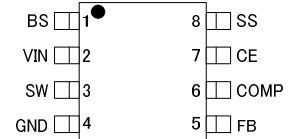
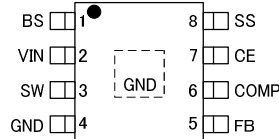
Features

- Absolute maximum rating 22V
- Input voltage range 4.5~20V
- Output voltage range 0.8~16V
- Reference voltage 0.8V $\pm 1.0\%$
- Switching frequency 500kHz
- Output current 3A (MM3543BHBEH)
2A (MM3542BFBEH)
- Soft start
- ON/OFF function (CE-pin)
- OCP (1ms after latch)

Application

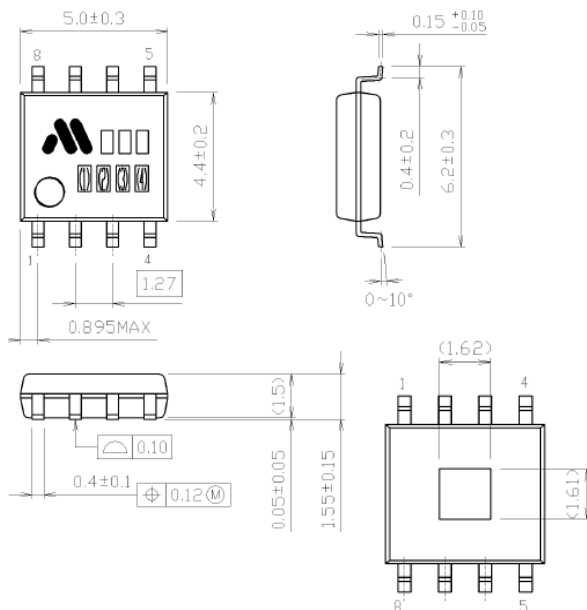
- BD-P/R
- STB
- TV

Pin configuration

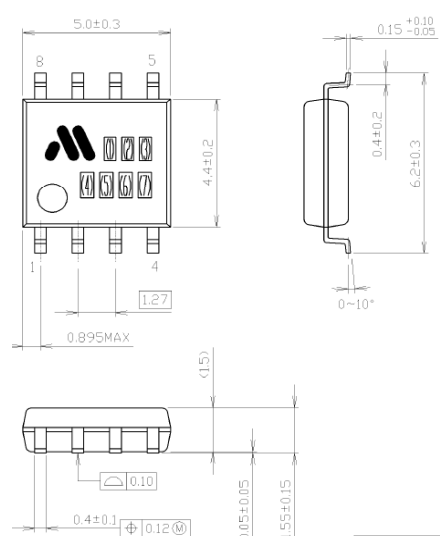


Package

HSOP-8C

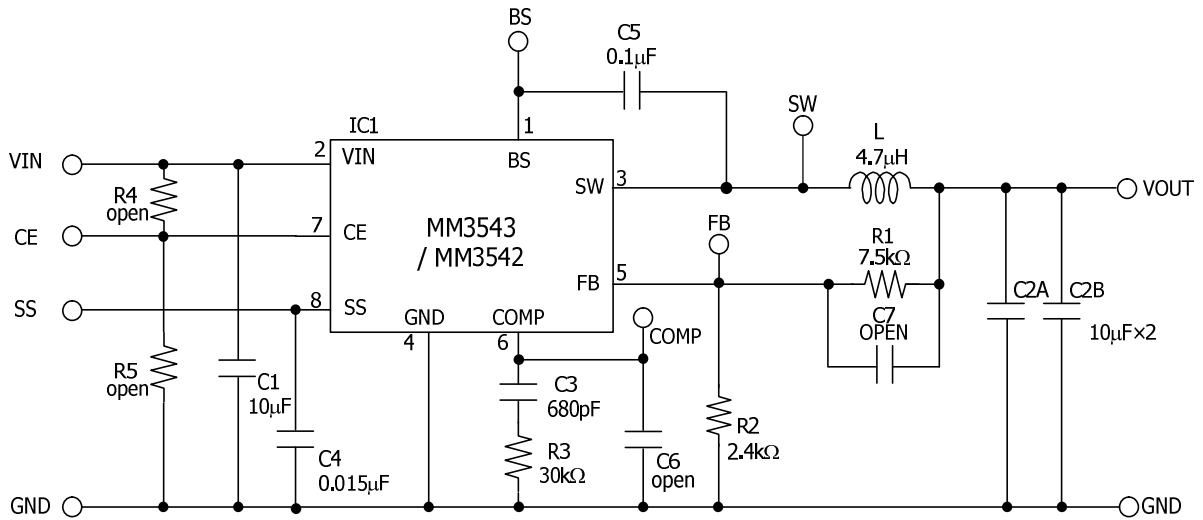


SOP-8D

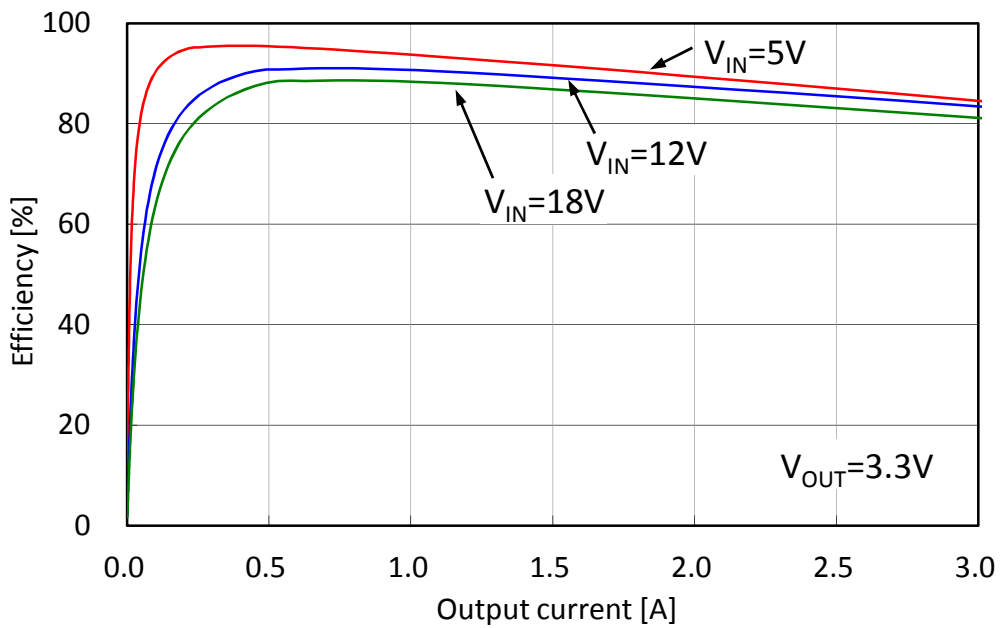


Unit:mm

Application circuit



Efficiency



Any products mentioned this leaflet are subject to any modification in their appearance and others for improvements without prior notification. The details listed here are not a guarantee of the individual products at the time of ordering. When using the products, you will be asked to check their specifications.