

08020SA (3108SB)

80[□]X20^L

DC Axial Fan Ball Bearing



General Specifications

Motor Protection : Auto Restart / Polarity Protection
 Insulation Resistance : 10MΩ or over with a DC500V Megger

Dielectric Withstand Voltage : AC700V 1s

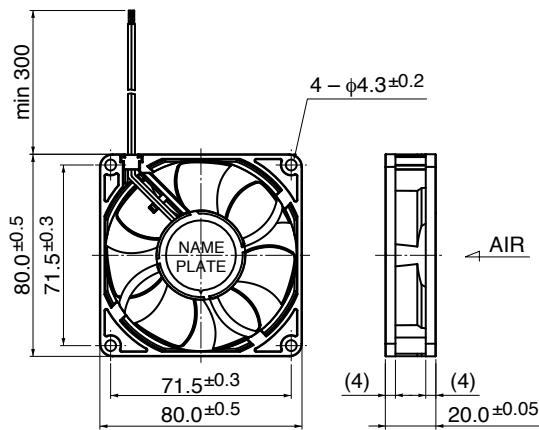
Allowable Ambient : -10°C ~ +70°C (Operating)
 Temperature Range : -40°C ~ +70°C (Storage)
 non-condensing environment

Expected Life

※ Failure Rate: 10% (L10 Life)

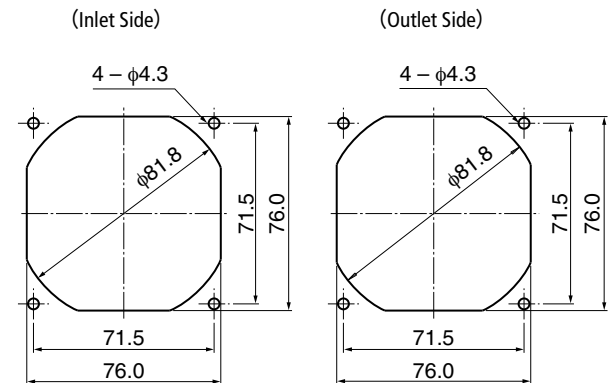
60°C 40,000 (Hours)

Outline

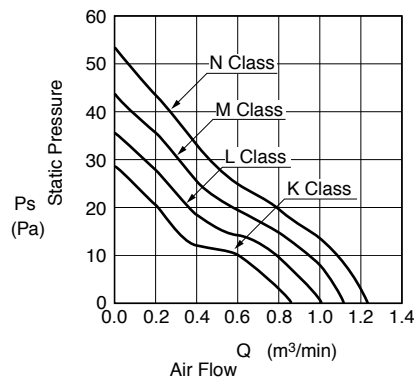


* Outline is A (Rib) type.

Panel Out-cuts



Characteristic Curves



Material

Casing : Plastic (Black) UL94V-0
 Impeller : Plastic (Black) UL94V-0
 Bearing : Ball Bearing
 Lead Wire : UL3385 AWG26 + : Red, - : Black

Specifications

□ = Casing Form --- A: Rib Type, E: Flange Type

Model	Product No.	Rating Voltage	Operating Voltage	Current	Input Power	Speed	Max. Air Flow		Max. Static Pressure		Noise	Mass
		(V)	(V)	(A)*1	(W)*1	(min ⁻¹)*1	(m ³ /min)*1	(CFM)*1	(Pa)*1	(In H ₂ O)*1	(dB)*1	(g)
08020SA-12K-□A-	00	12	6.0 ~ 13.8	0.07	0.84	2900	0.88	31.1	34.9	0.14	31.0	80
08020SA-12L-□A-	00			0.09	1.08	3300	1.02	36.0	43.6	0.17	34.0	
08020SA-12M-□A-	00			0.13	1.56	3700	1.13	39.9	52.8	0.21	37.5	
08020SA-24K-□A-	00	24	9.0 ~ 27.6	0.06	1.44	2900	0.88	31.1	28.5	0.11	31.0	
08020SA-24L-□A-	00			0.07	1.68	3300	1.02	36.0	35.0	0.14	34.0	
08020SA-24M-□A-	00			0.09	2.16	3700	1.13	39.9	44.0	0.18	37.5	
08020SA-24N-□A-	00			0.10	2.40	4000	1.20	42.4	53.0	0.21	40.5	

Rotation: Clockwise as seen from the label side
 Airflow Outlet: Label side

*1: Average Values in Free Air