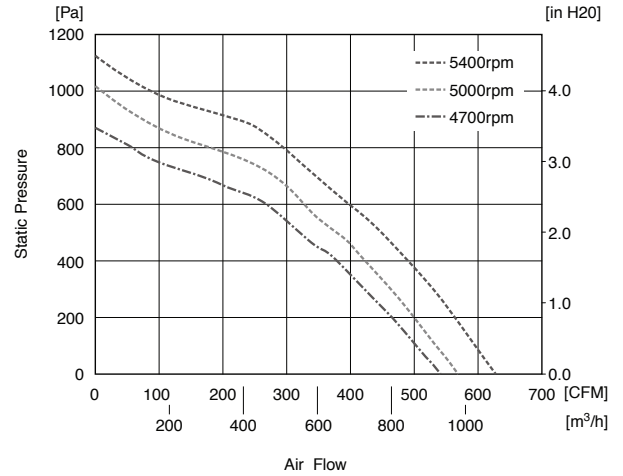




Characteristic Curves



General Specifications

Motor Protection:

Locked Rotor, Reverse Polarity

Insulation Resistance:

10M Ω min measured with 500V DC between all leads shorted together and case

Dielectric Withstand Voltage: AC 500V 1 minute

Allowable Ambient Temperature Range:

- 30°C ~ +60°C (Operating) = F175P1-061-D0750
- 30°C ~ +70°C (Operating) = F175P2-061-D0750
- 30°C ~ +70°C (Operating) = F175P5-061-D0540
- 40°C ~ +80°C (Storage)

IP Code:

IP55

Expected Life

L10 Life:

40°C 70,000 Hours

Material

Impeller : Plastic

Bearing : Ball Bearing

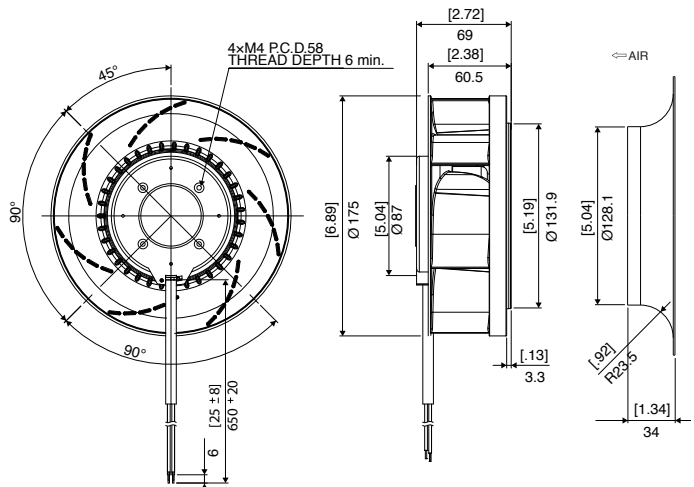
Lead Wire : UL1430, AWG18, +Red, -Black,

Speed Control = Yellow

Speed Signal = White

Outline

Units: $\frac{[inch]}{mm}$



Specifications

MODEL	Rated Voltage	Operating Voltage	Current	Input Power	Speed	Max. Air Flow		Max. Static Pressure		Noise	Mass
	(V)	(V)	(A) ^{*1}	(W) ^{*1}	(min ⁻¹) ^{*1}	CFM ^{*1}	(m ³ /hr) ^{*1}	in H ₂ O	(Pa) ^{*1}	(dB) ^{*1}	(g)
F175P1-061-D0750	48	36 ~ 72	3.8	182.4	5400	610	1036	4.2	1046	78	1200
F175P2-061-D0750	48	36 ~ 72	3.2	154.0	5000	571	970	4.1	1020	76	1200
F175P5-061-D0540	24	18 ~ 30	4.7	113.0	4700	541	919	3.5	870	74	1200

Rotation: Clockwise looking at Air Inlet

*1: Average Values in Free Air and Rated Voltage Condition