

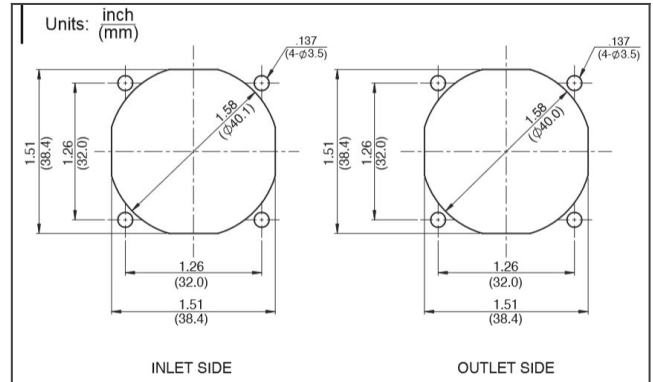
General Specifications

Motor Protection: Auto Restart/Polarity Protection
 Insulation Resistance: 10M Ohm or over with a DC500V Megger
 Dielectric Withstand Voltage: AC 700V 1st
 Allowable Ambient Temperature Range:
 -10 degree C ~ +70 degree C (Operating)
 -40 degree C ~ +70 degree C (Storage)
 (non-condensing environment)

Material

Casing: Plastic (Black) UL94V-0
 Impeller: Plastic (Black) UL94V-0
 Bearing: Sleeve Bearing
 Lead Wire: UL1061, AWG26, +Red, -Black

04010SS panel cut out

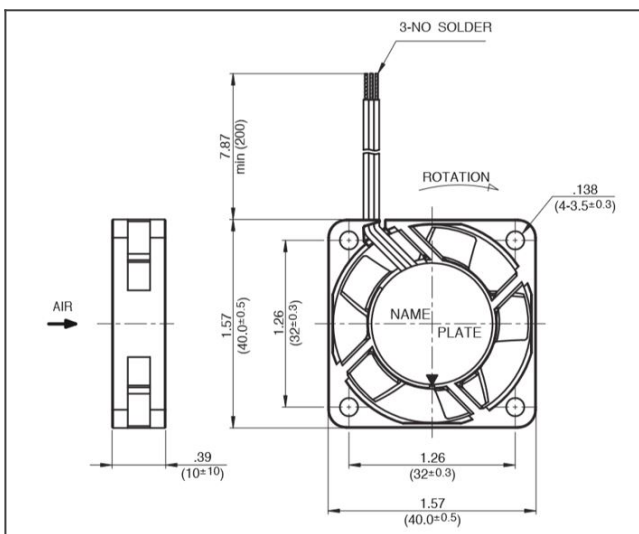


order part 04010SS-05L-AA-00 Sleeve Bearing Fan DC Fans



DC Fans

04010SS product drawing



Detailed Specifications

DC Fans

Expected Life:	40 degree C 30,000 Hours (L10)
DC Fan:	Sleeve Bearing Fan
Nominal Voltage:	5[V]
Operating Voltage Lower:	4.5[V]
Operating Voltage Upper:	5.5[V]
Current:	0.09[A]
Input Power:	0.5[W]
Speed:	5500[min^{-1}]
Max. Air Flow:	0.14[m^3/min]
Max. Air Flow:	4.9[CFM]
Max. Static Pressure:	27.5[Pa]
Max. Static Pressure:	0.11[In H ₂ O]
Noise:	21[dB]
Mass:	16[g]
Fan Size:	40[mm]
Fan Width:	10[mm]
Life Expectancy L10:	40 degree C 30,000 Hours (L10)
Series:	04010SS