

General Specifications

Motor Protection: Auto Restart/Polarity Protection
 Insulation Resistance: 10M Ohm or over with a DC500V Megger
 Dielectric Withstand Voltage: AC 700V 1st
 Allowable Ambient Temperature Range:
 -10 degree C ~ +70 degree C (Operating)
 -40 degree C ~ +70 degree C (Storage)
 (non-condensing environment)

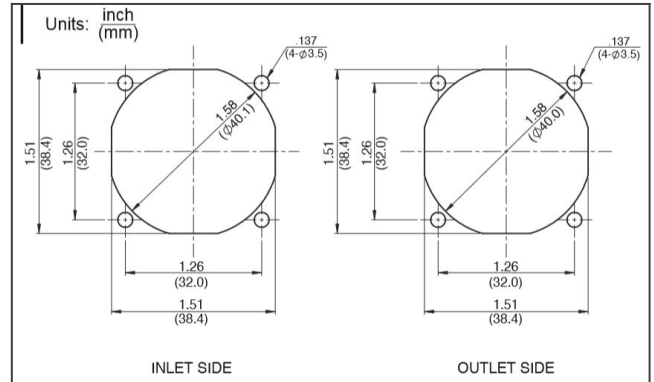
Material

Casing: Plastic (Black) UL94V-0
 Impeller: Plastic (Black) UL94V-0
 Bearing: Sleeve Bearing
 Lead Wire: UL1061, AWG26, +Red, -Black

04010SS product picture

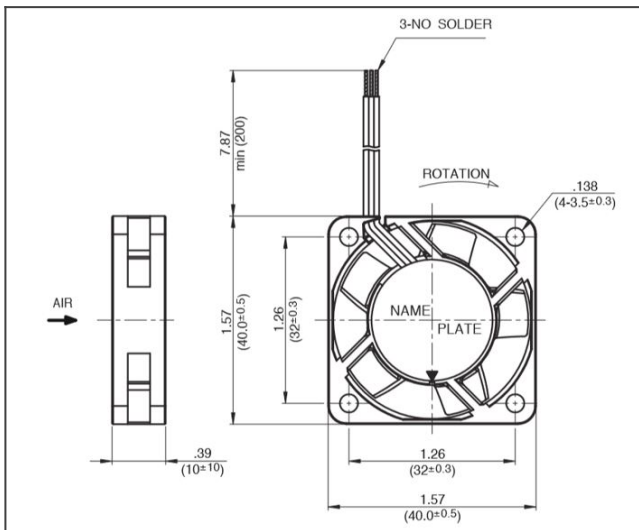


04010SS panel cut out



DC Fans

04010SS product drawing



Detailed Specifications

Expected Life:	40 degree C 30,000 Hours (L10)
DC Fan:	Sleeve Bearing Fan
Nominal Voltage:	24
Operating Voltage Lower:	20
Operating Voltage Upper:	26.4
Current:	0.05
Input Power:	1.1
Speed:	7500
Max. Air Flow:	0.19
Max. Air Flow:	6.7
Max. Static Pressure:	50
Max. Static Pressure:	0.2
Noise:	29
Mass:	16
Fan Size:	40
Fan Width:	10

DC Fans