

## General Specifications

Motor Protection: Auto Restart/Polarity Protection  
 Insulation Resistance: 10M Ohm or over with a DC500V Megger  
 Dielectric Withstand Voltage: AC 700V 1st  
 Allowable Ambient Temperature Range:  
 L~M Class: -10 degree C ~ +70 degree C (Operating)  
 N Class: -10 degree C ~ +70 degree C (Operating)  
 All Class: -40 degree C ~ +70 degree C (Storage)  
 (non-condensing environment)

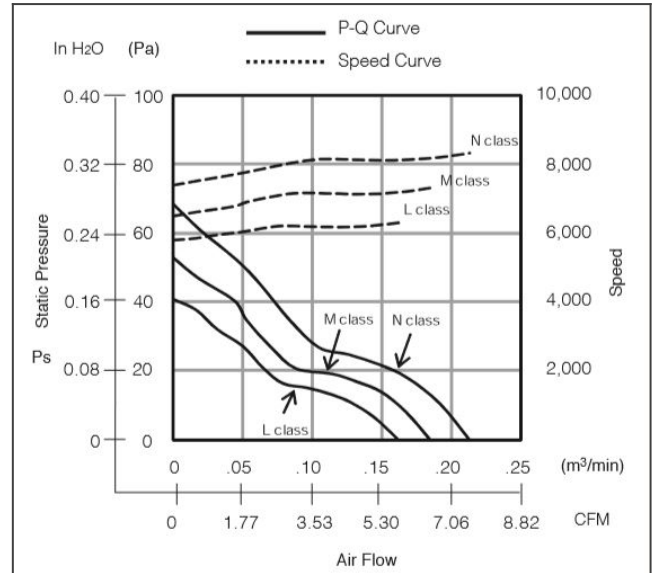
## Material

Casing: Aluminum (Black)  
 Impeller: Plastic (Black) UL94V-0  
 Lead Wire: UL10368, AWG22, +Red, -Black

**order part 04015SS-24N-AA-00 Sleeve Bearing Fan DC Fans**

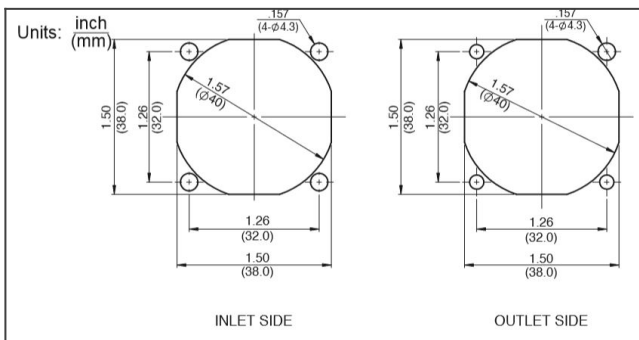


### 04015SS characteristics curve

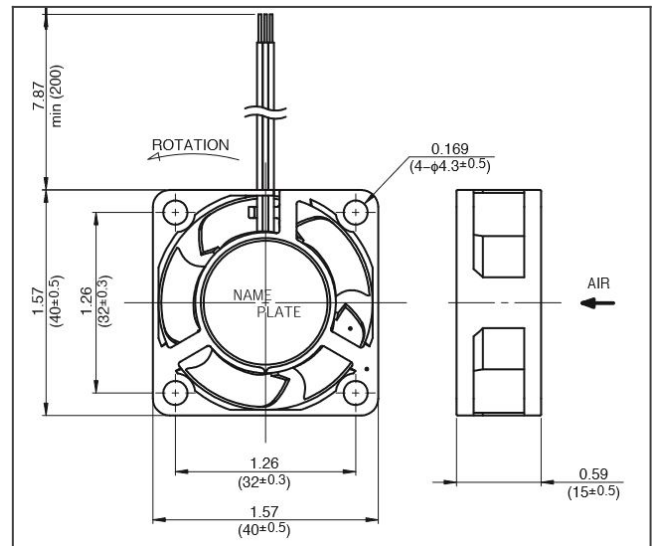


DC Fans

### 04015SS panel cut out



### 04015SS product drawing



## Detailed Specifications

DC Fans

<b>Expected Life:</b>	40 degree C 40,000 Hours (L10)
<b>DC Fan:</b>	Sleeve Bearing Fan
<b>Nominal Voltage:</b>	24[V]
<b>Operating Voltage Lower:</b>	10[V]
<b>Operating Voltage Upper:</b>	25.2[V]
<b>Current:</b>	0.05[A]
<b>Input Power:</b>	1.2[W]
<b>Speed:</b>	8300[ $\text{min}^{-1}$ ]
<b>Max. Air Flow:</b>	0.21[ $\text{m}^3/\text{min}$ ]
<b>Max. Air Flow:</b>	7.4[CFM]
<b>Max. Static Pressure:</b>	68[Pa]
<b>Max. Static Pressure:</b>	0.27[In H <sub>2</sub> O]
<b>Noise:</b>	32[dB]
<b>Mass:</b>	23[g]
<b>Fan Size:</b>	40[mm]
<b>Fan Width:</b>	15[mm]
<b>Life Expectancy L10:</b>	40 degree C 40,000 Hours (L10)
<b>Series:</b>	04015SS