

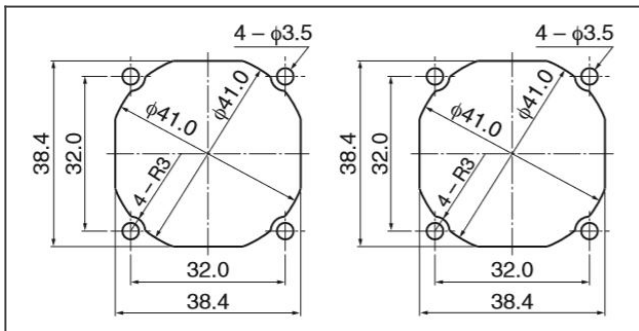
General Specifications

Motor Protection: Auto Restart
 Insulation Resistance: 10M Ohm or over with a DC500V Megger
 Dielectric Withstand Voltage: AC 700V 1st
 Allowable Ambient Temperature Range:
 -10 degree C ~ +70 degree C (Operating)
 -40 degree C ~ +70 degree C (Storage)
 (non-condensing environment)

order part 04028DA-12Q-AAF-0 Ball Bearing Fan DC Fans



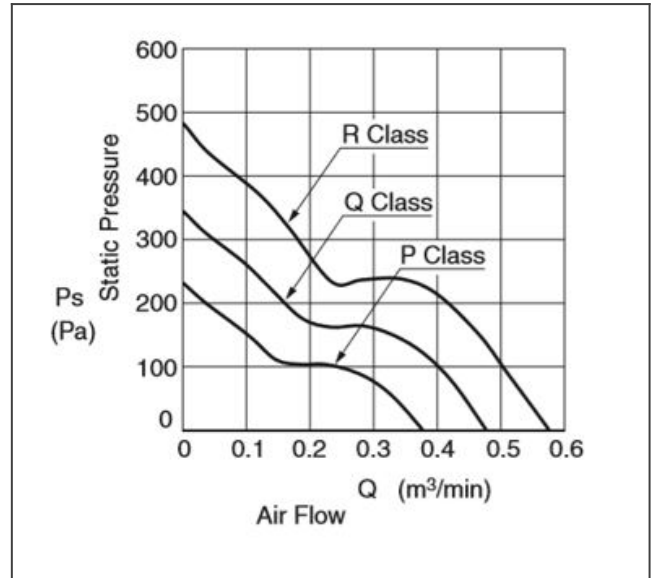
04028DA panel cut out



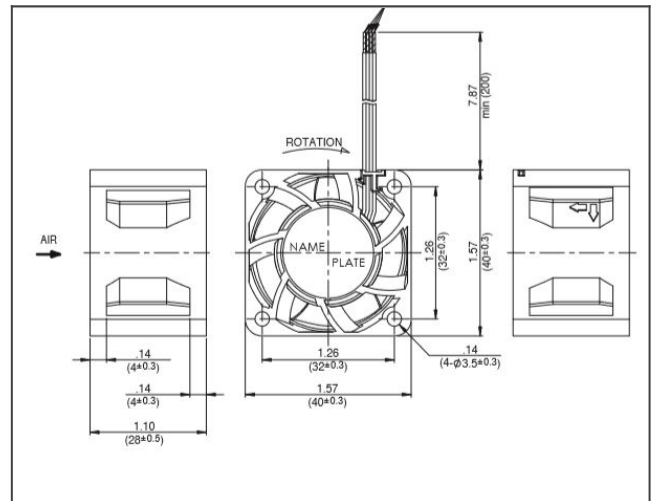
Material

Casing: Plastic (Black) UL94V-0
 Impeller: Plastic (Black) UL94V-0
 Lead Wire: UL10368, AWG26, +Red, -Black

04028DA characteristic curve



04028DA product drawing



Detailed Specifications

DC Fans

Expected Life:	40 degree C 70,000 Hours (L10)
DC Fan:	Ball Bearing Fan
Nominal Voltage:	12[V]
Operating Voltage Lower:	10.8[V]
Operating Voltage Upper:	13.2[V]
Current:	0.29[A]
Input Power:	3.5[W]
Speed:	15000[min^{-1}]
Max. Air Flow:	0.47[m^3/min]
Max. Air Flow:	16.6[CFM]
Max. Static Pressure:	340[Pa]
Max. Static Pressure:	1.37[In H ₂ O]
Noise:	49.5[dB]
Mass:	53[g]
Fan Size:	40[mm]
Fan Width:	28[mm]
Life Expectancy L10:	40 degree C 70,000 Hours (L10)
Series:	04028DA