

General Specifications

Motor Protection: Auto Restart/Polarity Protection
 Insulation Resistance: 10M Ohm or over with a DC500V Megger
 Dielectric Withstand Voltage: AC 700V 1st
 Allowable Ambient Temperature Range:
 -10 degree C ~ +60 degree C (Operating)
 -40 degree C ~ +60 degree C (Storage)
 (non-condensing environment)

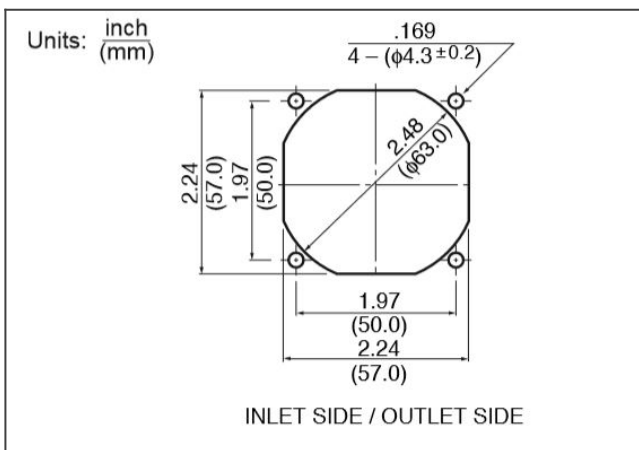
Material

Casing: Plastic (Black) UL94V-0
 Impeller: Plastic (Black) UL94V-0
 Lead Wire: UL1061, AWG26, +Red, -Black

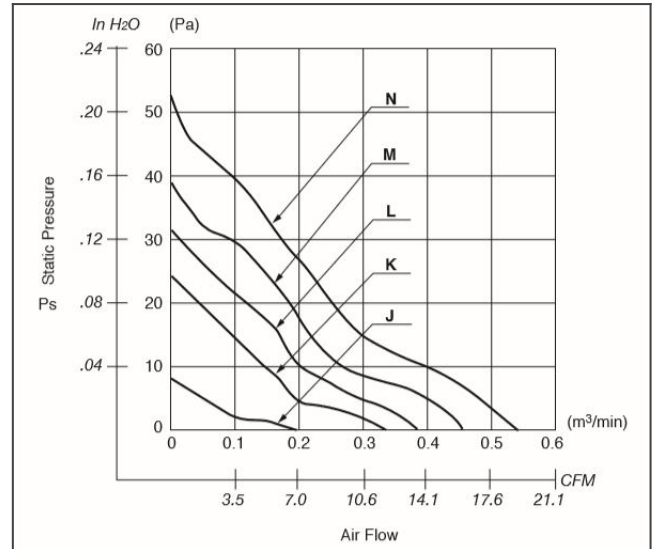
06015KA product picture



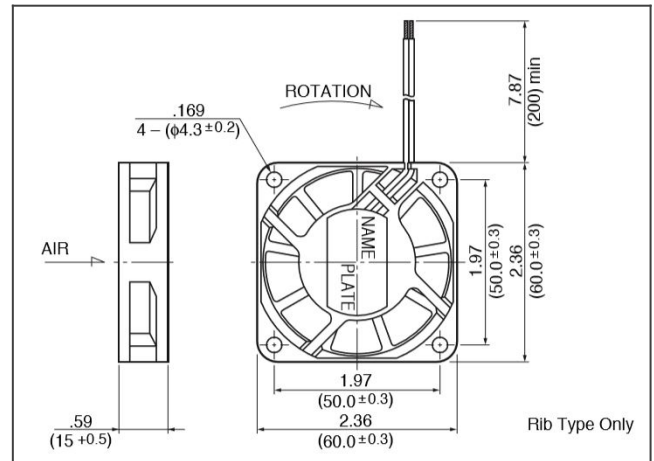
06015KA panel cut out



06015KA characteristic chart



06015KA product drawing



Detailed Specifications

Expected Life:	25 degree C 70,000 Hours (L10)
DC Fan:	Ball Bearing Fan
Nominal Voltage:	12
Operating Voltage Lower:	6
Operating Voltage Upper:	13.8
Current:	0.09
Input Power:	1.08
Speed:	3600
Max. Air Flow:	0.4
Max. Air Flow:	14.1
Max. Static Pressure:	31.3
Max. Static Pressure:	0.13
Noise:	28
Mass:	45
Fan Size:	60
Fan Width:	15

DC Fans