

General Specifications

Motor Protection: Auto Restart/Polarity Protection
 Insulation Resistance: 10M Ohm or over with a DC500V Megger
 Dielectric Withstand Voltage: AC 700V 1st
 Allowable Ambient Temperature Range:
 -10 degree C ~ +70 degree C (Operating)
 -40 degree C ~ +70 degree C (Storage)
 (non-condensing environment)

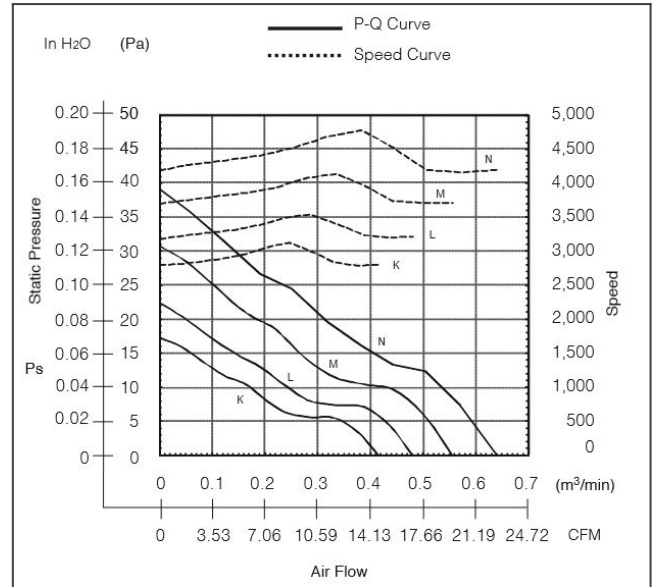
Material

Casing: Plastic (Black) UL94V-0
 Impeller: Plastic (Black) UL94V-0
 Lead Wire: UL1061, AWG26, +Red, -Black

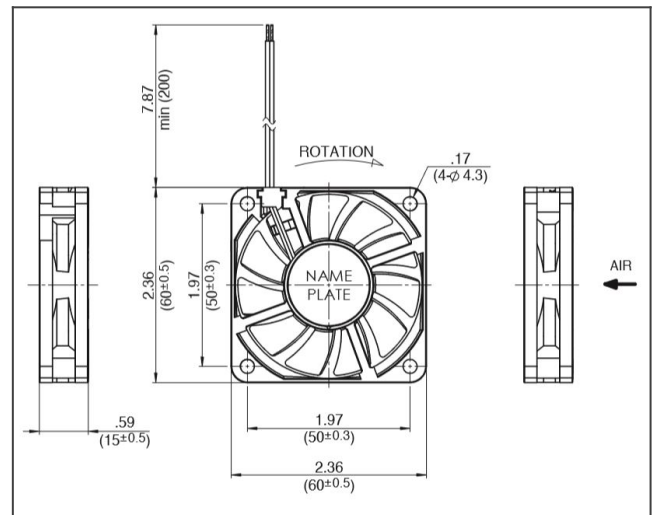
06015SS product picture



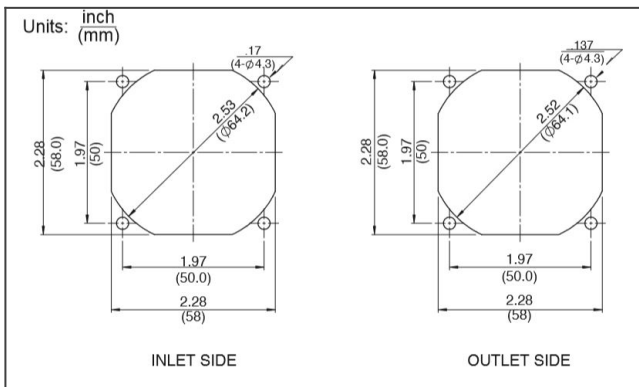
06015SS characteristic chart



06015SS product drawing



06015SS panel cut out



DC Fans

Detailed Specifications

Expected Life:	40°C 40,000 Hours (L10)
DC Fan:	Sleeve Bearing Fan
Nominal Voltage:	12
Operating Voltage Lower:	6
Operating Voltage Upper:	13.8
Current:	0.11
Input Power:	1.32
Speed:	3700
Max. Air Flow:	0.56
Max. Air Flow:	19.8
Max. Static Pressure:	30.8
Max. Static Pressure:	0.12
Noise:	30
Mass:	37
Fan Size:	60
Fan Width:	15

DC Fans