

General Specifications

Motor Protection: Auto Restart/Polarity Protection
 Insulation Resistance: 10M Ohm or over with a DC500V Megger
 Dielectric Withstand Voltage: AC 700V 1st
 Allowable Ambient Temperature Range:
 -10 degree C ~ +70 degree C (Operating)
 -40 degree C ~ +70 degree C (Storage)
 (non-condensing environment)

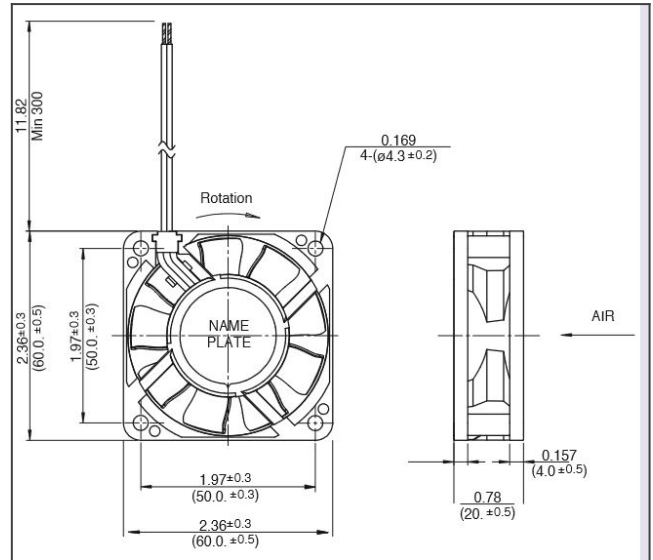
Material

Casing: Plastic (Black) UL94V-0
 Impeller: Plastic (Black) UL94V-0
 Lead Wire: UL3385, AWG26, +Red, -Black

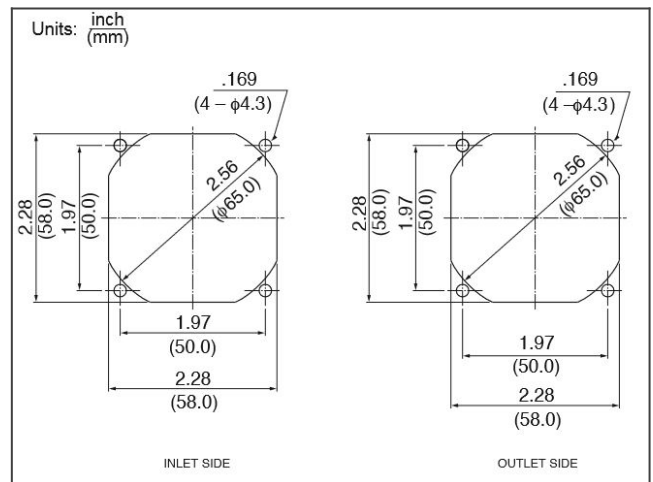
06020SA product picture



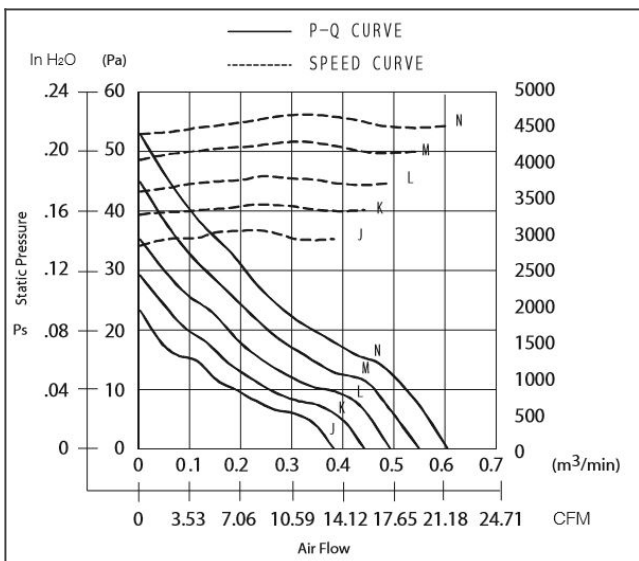
06020SA product drawing - Copy



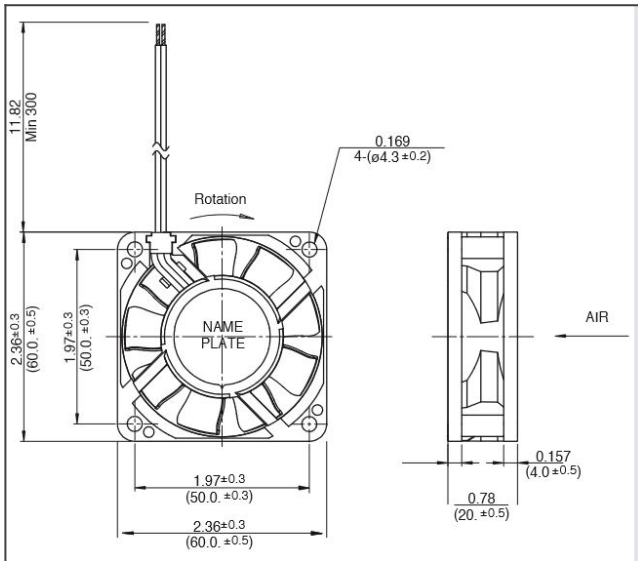
06020SA panel cut out



06020SA characteristic curve



06020SA product drawing



DC Fans

Detailed Specifications

Expected Life:	60 degree C 40,000 Hours (L10) AA/EA
DC Fan:	Ball Bearing Fan
Nominal Voltage:	12
Operating Voltage Lower:	6
Operating Voltage Upper:	13.8
Current:	0.06
Input Power:	0.72
Speed:	3600
Max. Air Flow:	0.47
Max. Air Flow:	16.6
Max. Static Pressure:	34.7
Max. Static Pressure:	0.14
Noise:	26
Mass:	56
Fan Size:	60
Fan Width:	20

DC Fans