

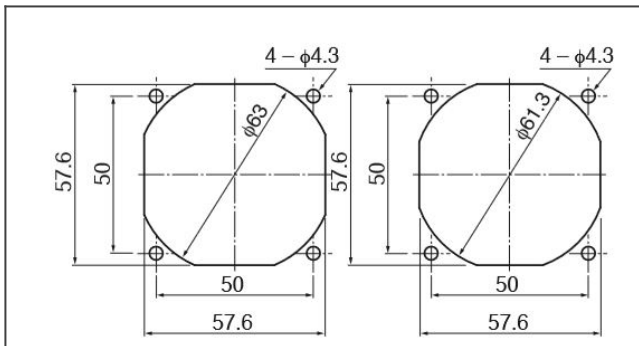
General Specifications

Motor Type: DC Brushless Motor Motor Protection: Auto Restart/Polarity Protection
 Insulation Resistance: 10M Ohm or over with a DC500V Megger
 Dielectric Withstand Voltage: AC 700V 1st or 500V 1 min
 Allowable Ambient Temperature Range:
 -10 degree C ~ +70 degree C (Operating)
 -40 degree C ~ +70 degree C (Storage)
 (non-condensing environment)

order part 06025DA-12R-AU-02 PWM and Tach Ball Bearing Fan DC Fans



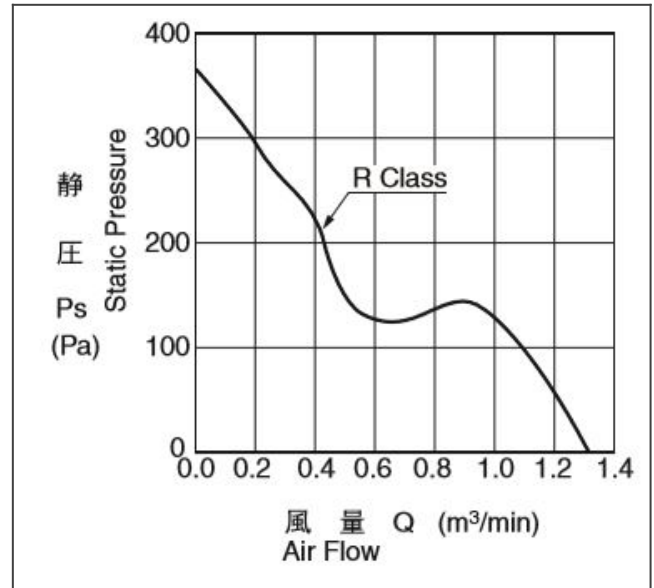
06025DA panel cut out



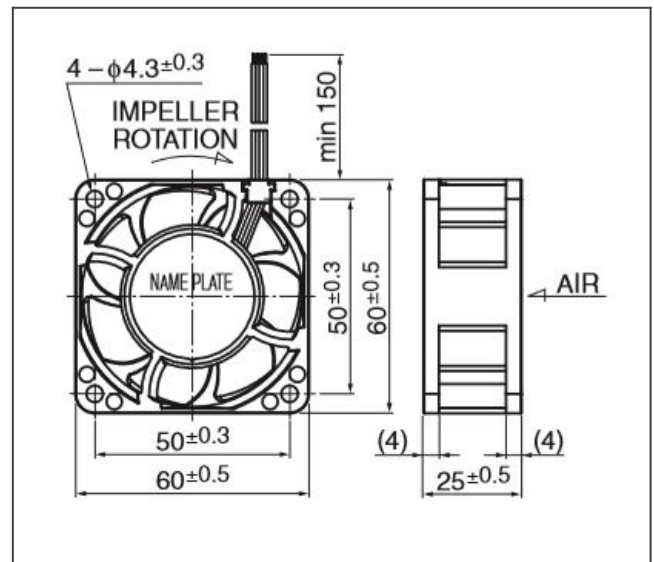
Material

Casing: Plastic (Black)
 Impeller: Plastic (Black)
 Bearing: Ball Bearing
 Lead Wire: UL3385 AWG26 (+): Red (-): Black PWM: Brown
 Tach: White Bushing: Plastic (Black)

06025DA characteristic curve



06025DA product drawing



Detailed Specifications

Life Expectancy L10:	60 degrees C 40,000 Hours
DC Fan:	PWM and Tach Ball Bearing Fan
Nominal Voltage:	12[V]
Operating Voltage Lower:	7[V]
Operating Voltage Upper:	13.2[V]
Industry:	Telecom
Current:	0.67[A] Avg
Current:	0.87[A] Max
Input Power:	8.04[W] Avg
Input Power:	10.44[W] Max
Speed:	11000[min^{-1}]
Max. Air Flow:	1.29[m^3/min]
Max. Air Flow:	45.6[CFM]
Max. Static Pressure:	290[Pa]
Max. Static Pressure:	1.17[In H ₂ O]
Noise:	52[dB]
Mass:	95[g]
Fan Size:	60[mm]
Fan Width:	25[mm]
Series:	06025DA

DC Fans