

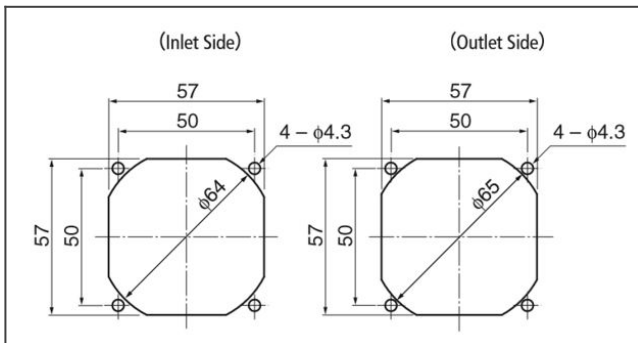
## General Specifications

Motor Protection: Auto Restart/Polarity Protection  
 Insulation Resistance: 10M Ohm or over with a DC500V Megger  
 Dielectric Withstand Voltage: AC 700V 1st  
 Allowable Ambient Temperature Range:  
 B80: -10 degree C ~ +60 degree C (Operating)  
 B70: -10 degree C ~ +70 degree C (Operating)  
 B50 ~ B60: -10 degree C ~ +50 degree C (Operating)  
 B10 ~ B20: -10 degree C ~ +70 degree C (Operating)  
 All Class: -40 degree C ~ +70 degree C (Storage)  
 (non-condensing environment)

**06025MA product picture**



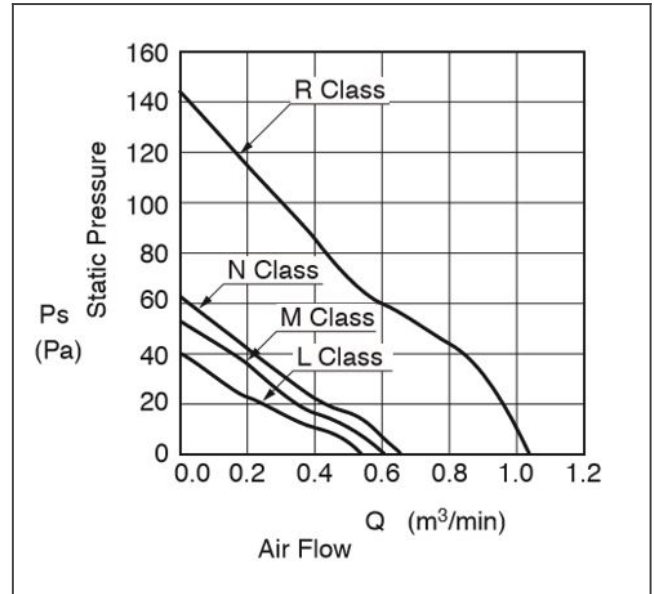
**06025MA panel cut out**



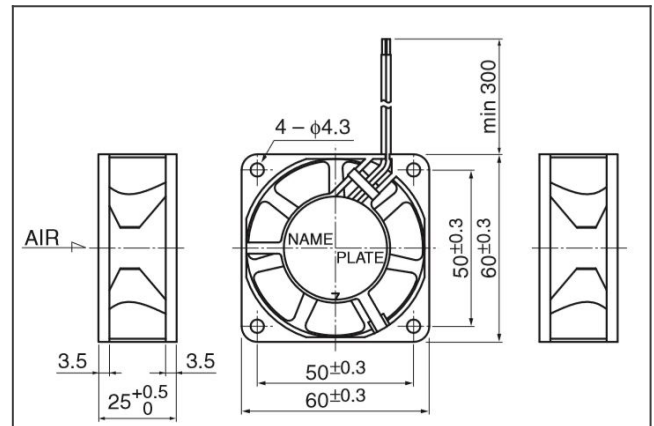
## Material

Casing: Plastic (Black) UL94V-0  
 Impeller: Plastic (Black) UL94V-0  
 Lead Wire: UL1007, AWG24, +Red, -Black

**06025MA characteristic curve**



**06025MA product drawing**



DC Fans

## Detailed Specifications

<b>Expected Life:</b>	25°C 100,000 Hours (L10)
<b>DC Fan:</b>	Ball Bearing Fan
<b>Nominal Voltage:</b>	24
<b>Operating Voltage Lower:</b>	10
<b>Operating Voltage Upper:</b>	27.6
<b>Current:</b>	0.09
<b>Input Power:</b>	2.16
<b>Speed:</b>	4550
<b>Max. Air Flow:</b>	0.61
<b>Max. Air Flow:</b>	21.5
<b>Max. Static Pressure:</b>	51.9
<b>Max. Static Pressure:</b>	0.21
<b>Noise:</b>	33.5
<b>Mass:</b>	65
<b>Fan Size:</b>	65
<b>Fan Width:</b>	65

**DC Fans**