

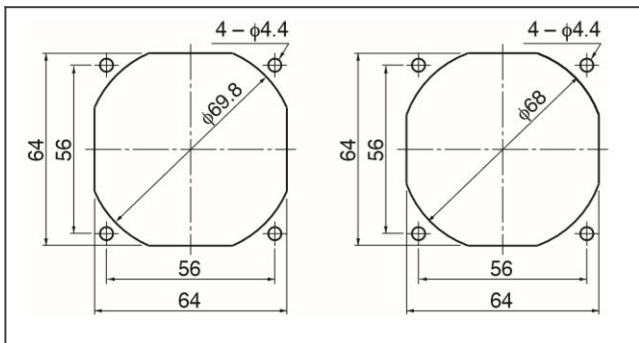
General Specifications

Motor Protection: Auto Restart / Polarity Protection
 Insulation Resistance: 10M Ohm or over with a DC500V Megger
 Dielectric Withstand Voltage: AC 700V 1st
 Allowable Ambient Temperature Range:
 -40 degree C ~ +40 degree C (Operating)
 -30 degree C ~ +70 degree C (Storage)
 (non-condensing environment)

order part 06615JS-12J-BA-F0 Sleeve Bearing Fan / Refrigeration / Evaporator DC Fans



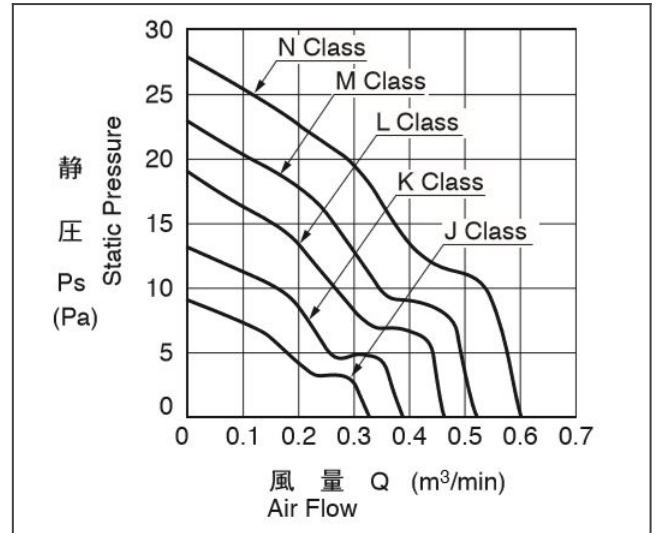
06615JS panel cut out



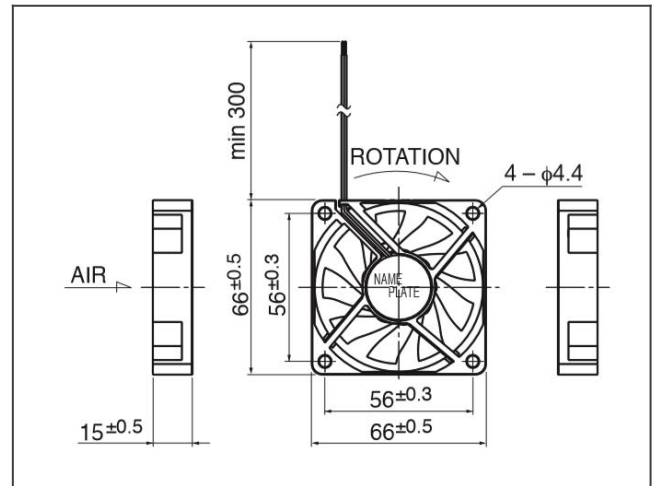
Material

Casing: Aluminum (Black) UL94V-0
 Impeller: Plastic (Black) UL94V-0
 Lead Wire: UL10368, AWG22, +Red, -Black

06615JS characteristic curve



06615JS product drawing



DC Fans

Detailed Specifications

DC Fans

Expected Life:	25 degree C 40,000 Hours (L10)
DC Fan:	Sleeve Bearing Fan / Refrigeration / Evaporator
Nominal Voltage:	12[V]
Operating Voltage Lower:	7[V]
Operating Voltage Upper:	13.2[V]
Current:	0.04[A]
Input Power:	0.5[W]
Speed:	2600[min^{-1}]
Max. Air Flow:	0.33[m^3/min]
Max. Air Flow:	11.7[CFM]
Max. Static Pressure:	9.1[Pa]
Max. Static Pressure:	0.04[In H ₂ O]
Noise:	22.5[dB]
Mass:	42[g]
Fan Size:	66[mm]
Fan Width:	15[mm]
Life Expectancy L10:	25 degree C 40,000 Hours (L10)
Series:	06615JS