

## General Specifications

Motor Protection: Auto Restart/Polarity Protection  
 Insulation Resistance: 10M Ohm or over with a DC500V Megger  
 Dielectric Withstand Voltage: AC 700V 1st  
 Allowable Ambient Temperature Range:  
 N Class: -10 degree C ~ +50 degree C (Operating)  
 L, M Class: -40 degree C ~ +60 degree C (Operating)  
 All Class: -40 degree C ~ +60 degree C (Storage)  
 (non-condensing environment)  
 (non-condensing environment)

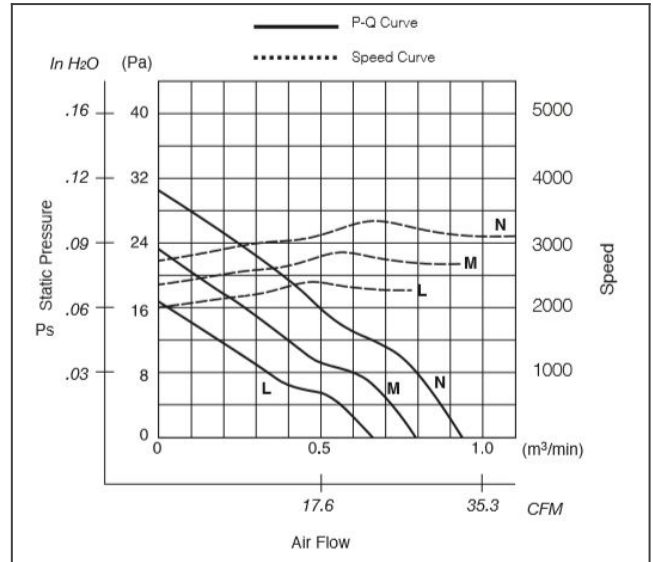
## Material

Casing: Plastic (Black) UL94V-0  
 Impeller: Plastic (Black) UL94V-0  
 Lead Wire: UL1007, AWG26, +Red, -Black

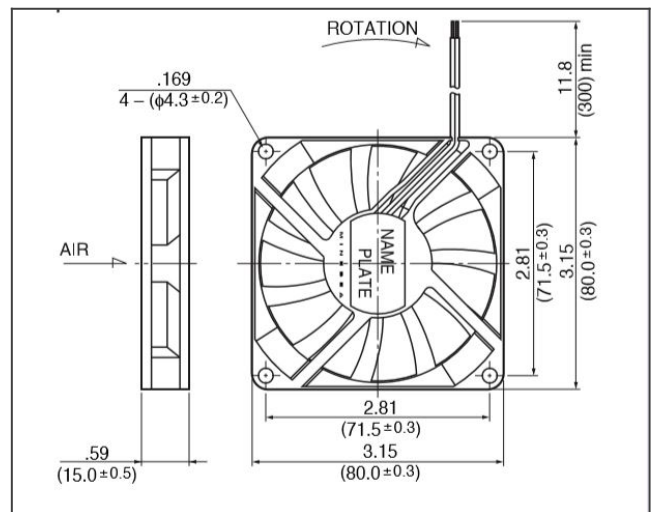
**08015KA product picture**



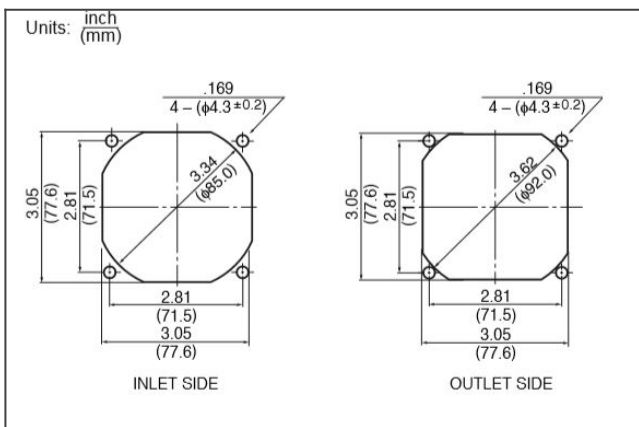
**08015KA characteristic curve**



**08015KA product drawing**



**08015KA panel cut out**



DC Fans

## Detailed Specifications

<b>Expected Life:</b>	25 degree C 70,000 Hours (L10)
<b>DC Fan:</b>	Ball Bearing Fan
<b>Nominal Voltage:</b>	24
<b>Operating Voltage Lower:</b>	10
<b>Operating Voltage Upper:</b>	27.6
<b>Current:</b>	0.07
<b>Input Power:</b>	1.68
<b>Speed:</b>	2200
<b>Max. Air Flow:</b>	0.66
<b>Max. Air Flow:</b>	23.3
<b>Max. Static Pressure:</b>	16
<b>Max. Static Pressure:</b>	0.06
<b>Noise:</b>	26
<b>Mass:</b>	50
<b>Fan Size:</b>	80
<b>Fan Width:</b>	15

DC Fans