

General Specifications

Motor Protection: Auto Restart / Polarity Protection
 Insulation Resistance: 10M Ohm or over with a DC500V Megger
 Dielectric Withstand Voltage: AC 700V 1st
 Allowable Ambient Temperature Range:
 -10 degree C ~ +70 degree C (Operating)
 -40 degree C ~ +70 degree C (Storage)
 (non-condensing environment)

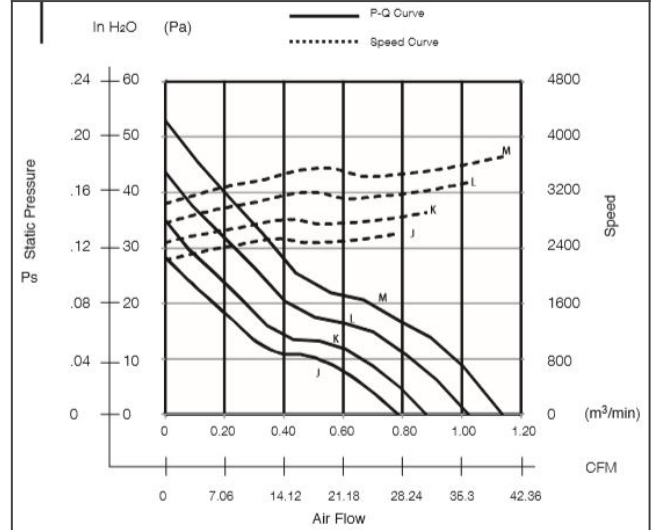
Material

Casing: Plastic (Black) UL94V-0
 Impeller: Plastic (Black) UL94V-0
 Lead Wire: UL3385, AWG26, +Red, -Black

08020SA product picture

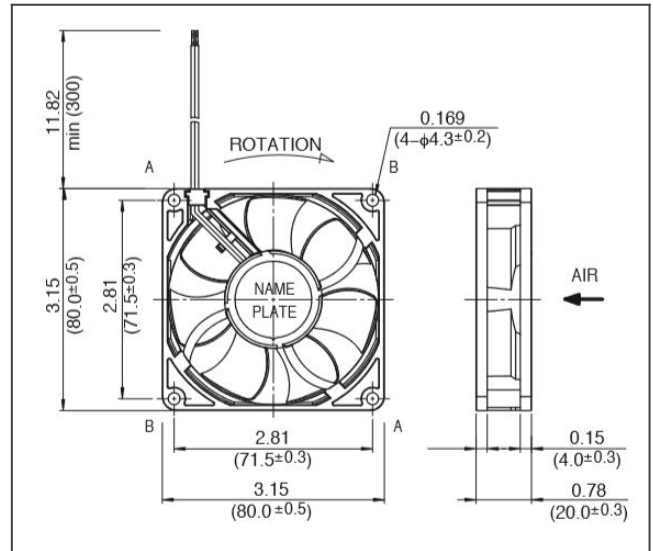


08020SA characteristic curve

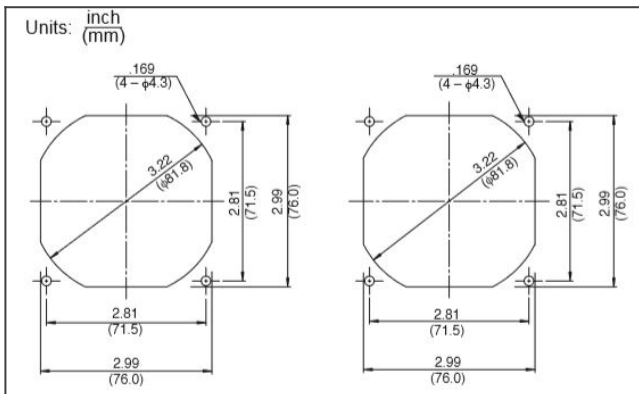


DC Fans

08020SA product drawing



08020SA panel cut out



Detailed Specifications

| | |
|---------------------------------|--------------------------------|
| Expected Life: | 60 degree C 40,000 Hours (L10) |
| Nominal Voltage: | 12 |
| Operating Voltage Lower: | 6 |
| Operating Voltage Upper: | 13.8 |
| Current: | 0.05 |
| Input Power: | 0.6 |
| Speed: | 2600 |
| Max. Air Flow: | 0.78 |
| Max. Air Flow: | 27.5 |
| Max. Static Pressure: | 28.3 |
| Max. Static Pressure: | 0.11 |
| Noise: | 27 |
| Mass: | 80 |
| Fan Size: | 80 |
| Fan Width: | 20 |

DC Fans