

General Specifications

Motor Protection: Auto Restart
 Insulation Resistance: 10M Ohm or over with a DC500V Megger
 Dielectric Withstand Voltage: AC 700V 1st
 Allowable Ambient Temperature Range:
 -10 degree C ~ +70 degree C (Operating)
 -40 degree C ~ +70 degree C (Storage)
 (non-condensing environment)

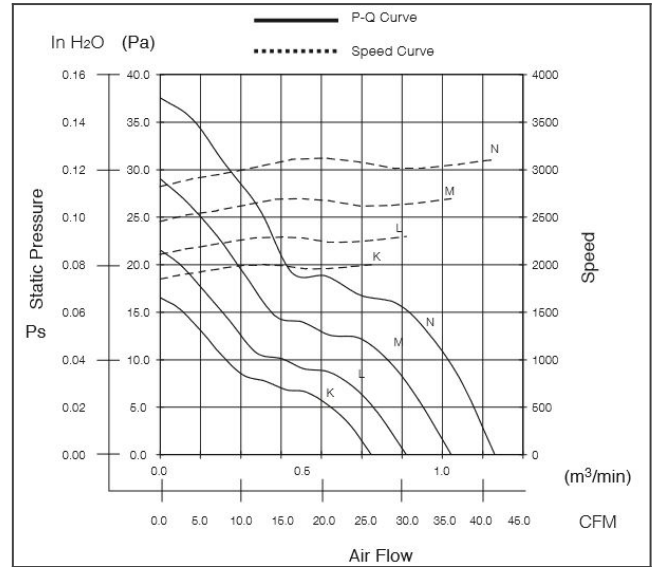
Material

Casing: Plastic (Black) UL94V-0
 Impeller: Plastic (Black) UL94V-0
 Lead Wire: UL1007, AWG26, +Red, -Black, (tach) White

08025SA product picture

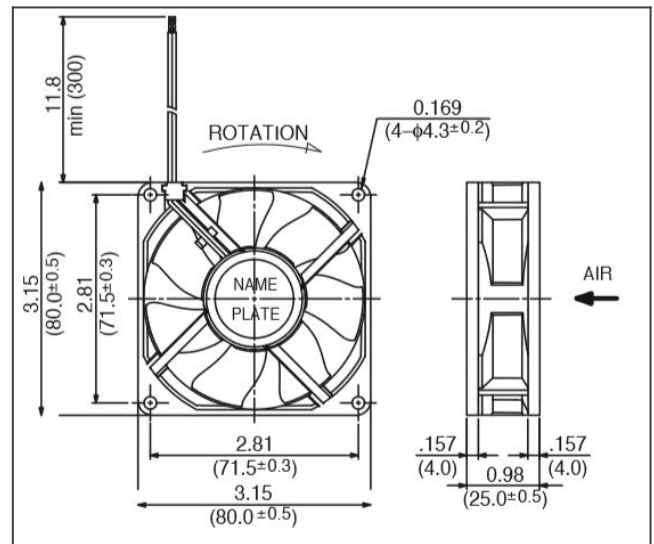


08025SA characteristic curve

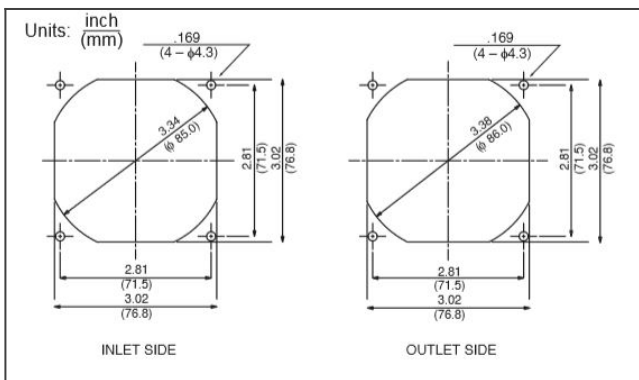


DC Fans

08025SA product drawing



08025SA panel cut out



Detailed Specifications

Expected Life:	60 degree C 40,000 Hours (L10)
DC Fan:	Ball Bearing Fan
Nominal Voltage:	24
Operating Voltage Lower:	12
Operating Voltage Upper:	26.4
Current:	0.17
Input Power:	4.08
Speed:	4500
Max. Air Flow:	1.7
Max. Air Flow:	60
Max. Static Pressure:	82
Max. Static Pressure:	0.33
Noise:	42
Mass:	80
Fan Size:	80
Fan Width:	25

DC Fans