

## General Specifications

Motor Protection: Auto Restart  
 Insulation Resistance: 10M Ohm or over with a DC500V Megger  
 Dielectric Withstand Voltage: AC 700V 1st  
 Allowable Ambient Temperature Range:  
 K ~ M Class: -10 degree C ~ +70 degree C (Operating)  
 N Class: -10 degree C ~ +60 degree C (Operating)  
 All Class: -40 degree C ~ +70 degree C (Operating)  
 (non-condensing environment)

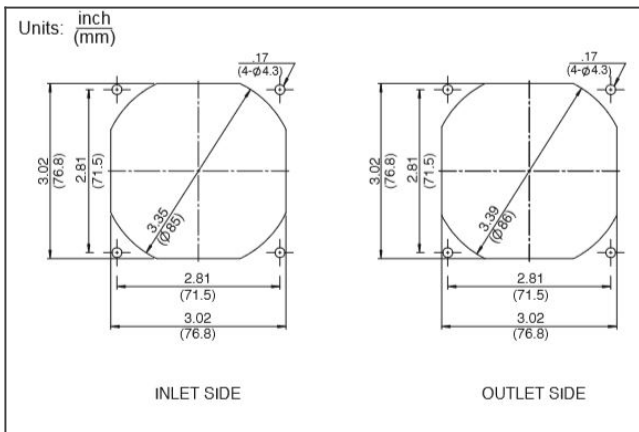
## Material

Casing: Plastic (Black) UL94V-0  
 Impeller: Plastic (Black) UL94V-0  
 Lead Wire: UL1007, AWG26, +Red, -Black, (tach) White

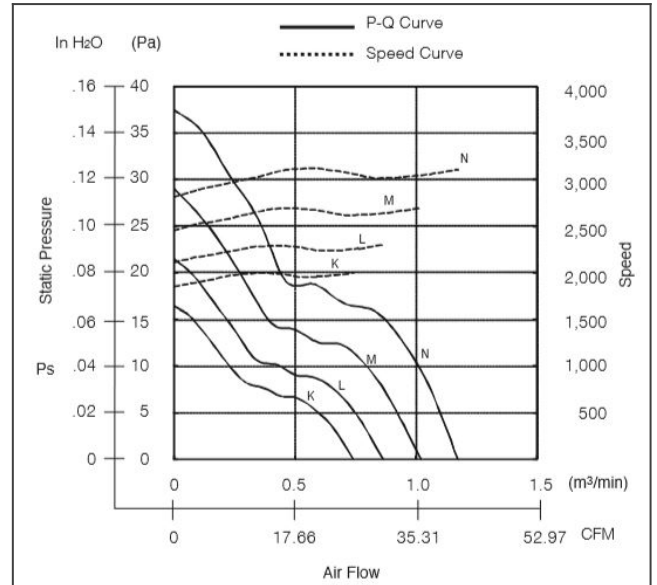
**08025SS product picture**



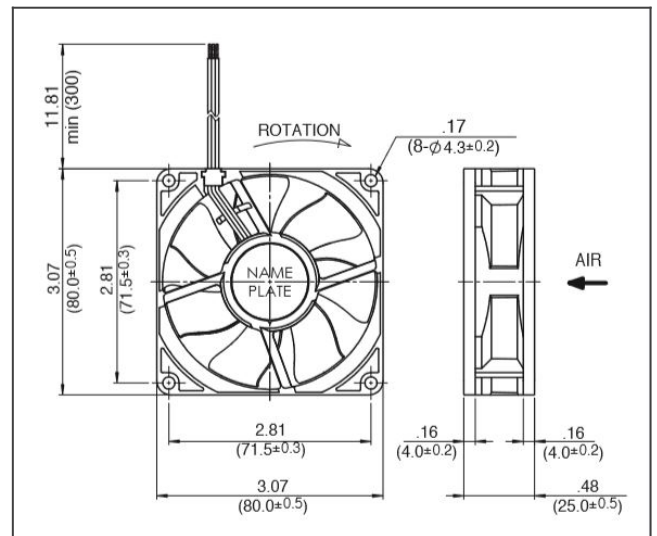
**08025SS panel cut out**



**08025SS characteristic curve**



**08025SS product drawing**



## Detailed Specifications

<b>Expected Life:</b>	40 degree C 50,000 Hours (L10)
<b>DC Fan:</b>	Sleeve Bearing Fan
<b>Nominal Voltage:</b>	12
<b>Operating Voltage Lower:</b>	6
<b>Operating Voltage Upper:</b>	13.8
<b>Current:</b>	0.16
<b>Input Power:</b>	1.92
<b>Speed:</b>	3100
<b>Max. Air Flow:</b>	1.17
<b>Max. Air Flow:</b>	41.3
<b>Max. Static Pressure:</b>	37.5
<b>Max. Static Pressure:</b>	0.15
<b>Noise:</b>	30
<b>Mass:</b>	80
<b>Fan Size:</b>	80
<b>Fan Width:</b>	25

DC Fans