

General Specifications

Motor Protection: Auto Restart
 Insulation Resistance: 10M Ohm or over with a DC500V Megger
 Dielectric Withstand Voltage: AC 700V 1st
 Allowable Ambient Temperature Range:
 K ~ M Class: -10 degree C ~ +70 degree C (Operating)
 N Class: -10 degree C ~ +60 degree C (Operating)
 All Class: -40 degree C ~ +70 degree C (Operating)
 (non-condensing environment)

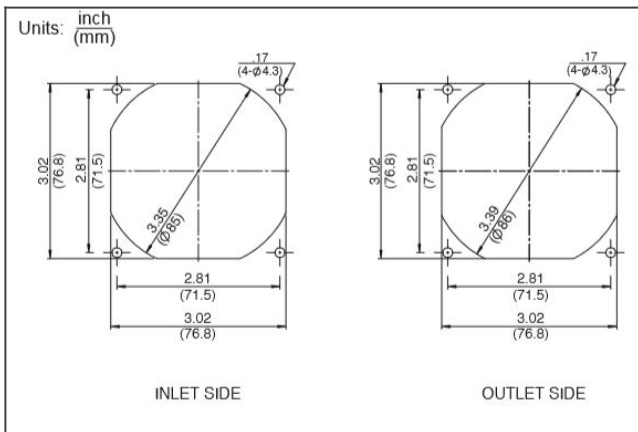
Material

Casing: Plastic (Black) UL94V-0
 Impeller: Plastic (Black) UL94V-0
 Lead Wire: UL1007, AWG26, +Red, -Black, (tach) White

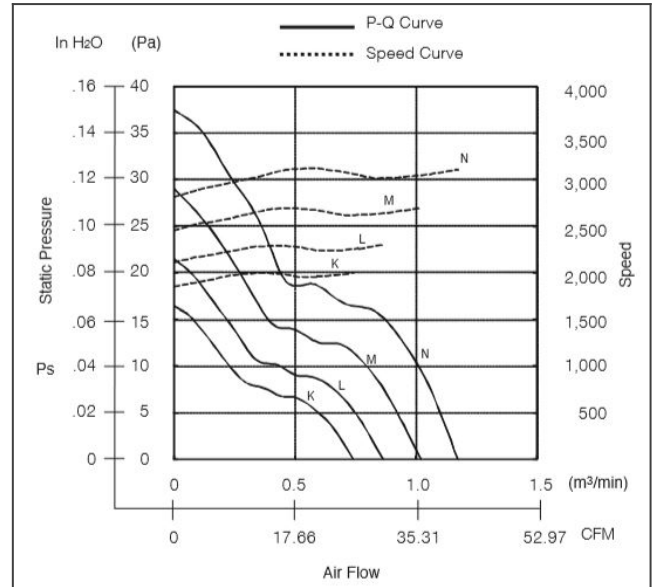
08025SS product picture



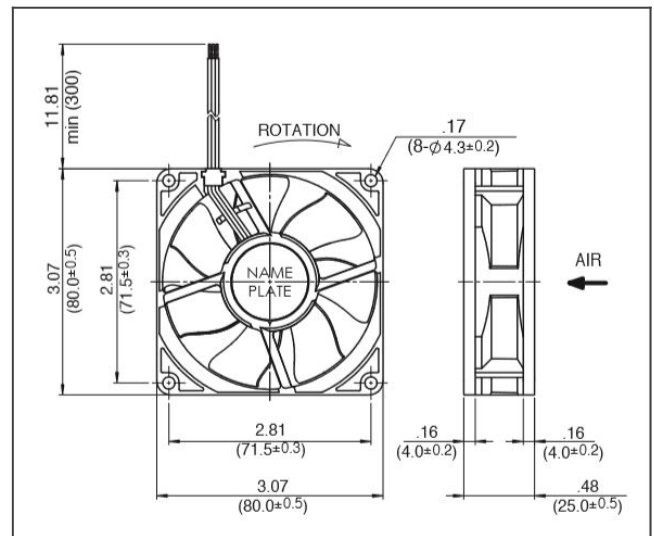
08025SS panel cut out



08025SS characteristic curve



08025SS product drawing



Detailed Specifications

Expected Life:	40 degree C 50,000 Hours (L10)
Nominal Voltage:	24
Operating Voltage Lower:	10
Operating Voltage Upper:	26.4
Current:	0.21
Input Power:	5.04
Speed:	4100
Max. Air Flow:	1.55
Max. Air Flow:	54.7
Max. Static Pressure:	68
Max. Static Pressure:	0.27
Noise:	39.5
Mass:	80
Fan Size:	80
Fan Width:	25

DC Fans