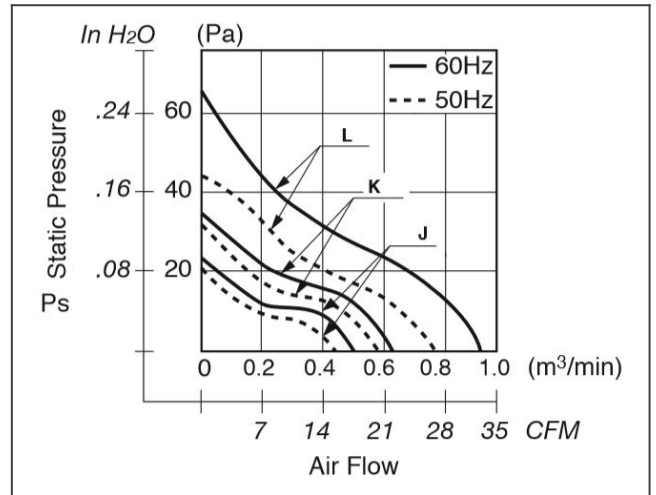


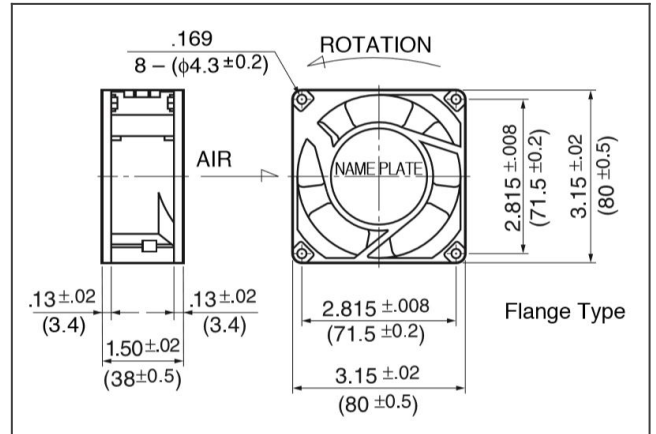
order part 08038PB-A1L-EA-00_60Hz Ball Bearing Fan AC Axial Fans



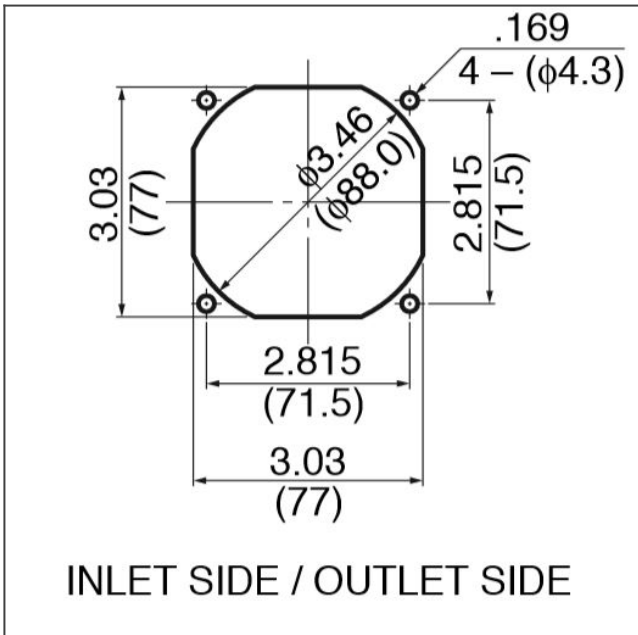
08038PB characteristics curve



08038PB product drawing



08038PB panel cut out



AC Axial Fans

Detailed Specifications

Fan Size:	80[mm]
Fan Width:	38[mm]
Nominal Voltage:	115[V]
Frequency:	60[Hz]
Max. Air Flow:	32.1[CFM]
Max. Air Flow:	0.9[m3/min]
Max. Static Pressure:	0.2[In H2O]
Max. Static Pressure:	49.1[Pa]
Fan Speed:	3200[RPM]
Noise:	38[dB]
Life Expectancy:	25deg.C 100,000 hours[L10]
Bearing Type:	Ball Bearing
Ingress Protection:	none
Starting Voltage:	75[V]
Input Power (+10% - 20%):	7[V]
Current:	0.11[A]
Mass:	270[g]
IP 69K:	-
	-:
	-:
	-:
	-:

AC Axial Fans