

## General Specifications

Motor Type: DC Brushless Motor Motor Protection: Auto Restart/Polarity Protection  
 Insulation Resistance: 10M Ohm or over with a DC500V Megger  
 Dielectric Withstand Voltage: AC 700V 1st or 500V 1 min  
 Allowable Ambient Temperature Range:  
 -10 degree C ~ +70 degree C (Operating)  
 -40 degree C ~ +70 degree C (Storage)  
 (non-condensing environment)

## Material

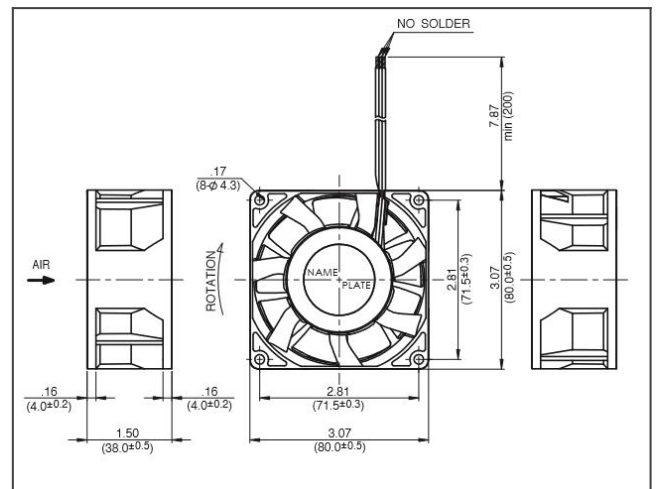
Casing: Plastic (Black) UL94V-0  
 Impeller: Plastic (Black) UL94V-0  
 Bearing: Ball Bearing  
 Lead Wire: UL1007 AWG24 or UL3443 AWG26 (+): Red (-): Black PWM: Brown Tach: White Bushing: Plastic (Black UL94V-0)

**order part 08038RA-12Q-EU-04 PWM and Tach Ball Bearing Fan DC Fans**

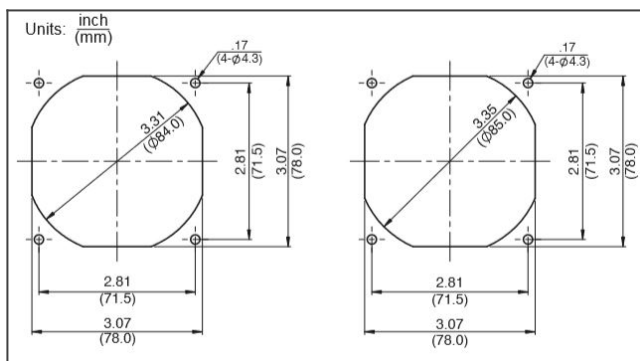
### 08038RA characteristic curve



### 08038RA product drawing



### 08038RA panel cut out



DC Fans

## Detailed Specifications

<b>Life Expectancy L10:</b>	25 degrees C 80,000 Hours
<b>DC Fan:</b>	PWM and Tach Ball Bearing Fan
<b>Nominal Voltage:</b>	12[V]
<b>Operating Voltage Lower:</b>	7[V]
<b>Operating Voltage Upper:</b>	13.8[V]
<b>Industry:</b>	Telecom
<b>Current:</b>	1.15[A] Avg
<b>Current:</b>	1.6[A] Max
<b>Input Power:</b>	13.8[W] Avg
<b>Input Power:</b>	19.2[W] Max
<b>Speed:</b>	6500[ $\text{min}^{-1}$ ]
<b>Max. Air Flow:</b>	2.6[ $\text{m}^3/\text{min}$ ]
<b>Max. Air Flow:</b>	91.8[CFM]
<b>Max. Static Pressure:</b>	260[Pa]
<b>Max. Static Pressure:</b>	1.04[In H <sub>2</sub> O]
<b>Noise:</b>	56[dB]
<b>Mass:</b>	210[g]
<b>Fan Size:</b>	80[mm]
<b>Fan Width:</b>	38[mm]
<b>Series:</b>	08038RA

DC Fans